

2017-2018

CATALOG

Winsted[®]

Control Room Consoles

THE GLOBAL LEADER >>

CONSOLES • FURNITURE • RAISED FLOORS & MORE



WINSTED CORPORATION

Winsted is the global leader in control room console and furniture solutions. We create attractive, ergonomic consoles that interface with your operators to improve comfort and optimize efficiency. We offer stock, customized and custom consoles suitable for any application. Whether you are building a state-of-the-art control room from the ground up, or you simply need to upgrade your operations, Winsted can provide the ideal solution. Our experts combine the disciplines of industrial design, ergonomics and interior design to create solutions that reduce fatigue, improve productivity and inspire. Our commitment to customer service is second-to-none and your satisfaction is guaranteed.



PRESTIGE SERIES 4-21



WORK SURFACES 22-27



IMPULSE DUAL SIT/STAND 30-37



ENVISION 38-45



E-SOC 46-53



SPECTRUM-2 54-55



M-VIEW 56-61



VERTICAL RACKS 62-69



CUSTOM WOOD 70-79



CUSTOM DIVISION 80-91



ACCESSORIES 92-93



CHAIRS 94



PRESTIGE SERIES CONSOLES

Prestige Consoles are ergonomic, modular and adaptable, giving users flexibility in any control room environment. Prestige consoles feature the Versa-Trak monitor support system, which offers the ultimate in adjustability. Monitor viewing angles and sight lines are easily optimized based on personal needs. Prestige consoles are beautiful with a feature set second to none.



PRESTIGE
SIGHT-LINE[™]
SERIES

Our **Flagship Console** is truly one-of-kind with a world class feature set, which is complimented by an impressive appearance, making it ideal for all control room applications. Sight-Line consoles are modular, reconfigurable and expandable to meet your changing needs. Sight-Line consoles can also be customized in numerous ways to create a unique solution.



PRESTIGE
SLAT-WALL[™]
SERIES

Our **Slat-Wall Console** is built on the same foundation as our award-winning Sight-Line console. The same world class feature set is incorporated with slat-wall to provide added versatility and an element of privacy. The slat-wall is 15" tall and constructed of high quality, extruded 6105-T5 aluminum. The black anodized finish is attractive and smooth to the touch. A variety of monitor mounts and accessories are available to mount on the slat-wall.



PRESTIGE
INSIGHT[™]
SERIES

Our **Compact Console** features a high-density profile, designed for a high performance world. Insight's overall depth of 32" saves valuable space and maximizes control room functionality. Our engineers reduced the overall depth of the chase and work surface on the popular Sight-Line console to create a compact console solution. The result is an efficient footprint that meets ergonomic standards and provides ample desktop workspace.



PRESTIGE
ASCEND[™]
SERIES

Our **Sit/Stand Console** offers three programmable height settings for ultimate versatility and optimum comfort in any control room setting. This completely redesigned sit/stand console includes electric-lift legs, which enable operators to quickly and easily adjust the work surface height from 28-1/2" to 44-1/2" with the push of a button. Two-, three- and four-leg systems are available with load capacities of 300, 450 and 600 lbs. respectively.



VERSA-TRAK MONITOR MOUNTING SYSTEM

Integrated horizontal aluminum track system will support a wide variety of monitor arrays. Versa-Trak offers the ultimate in versatility with easy horizontal adjustment. Post-mounted VESA brackets provide vertical adjustability along with the ability to tilt and pivot the monitors.



INTEGRATED DATA/POWER

Keep your electronics up and running. Sight-Line, Slat-Wall and Insight consoles feature openings for universal data mounting plates and duplex power outlets, conveniently located at the back of the work surface where they are within easy reach to connect electronics.



EASY-ACCESS CABLE MANAGEMENT

Enhance reliability while protecting and managing your cables. All Prestige consoles feature convenient cable management solutions that are easily accessible. A large drop-down interior tray for additional cable management is also available as an option.



MULTI-PURPOSE DOORS

Double-panel front and rear doors are extra sturdy to support a CPU shelf or file/storage bin for convenient swing-out access. Prevents reaching and working in confined storage spaces.

PRODUCT FEATURES AND HIGHLIGHTS

Three Base Console Widths

Base consoles are available in three widths: 24", 48", and 72". Features the Insta-Lock fastening system for simple construction. Black powder-coat finish.

Corner Fillers

Corner fillers help fit consoles into rooms, and deliver a convenient, ergonomic wrap-around operator console. Choose from 15°, 45°, and 90° concave corner options or 15° and 45° convex corner options.

Easy-Access Cable Management

Enhance reliability while protecting and managing your cables. All Prestige consoles feature convenient cable management solutions that are easily accessible. A large drop-down interior tray is also available as an option.

Multi-Purpose Locking Doors

Double-panel doors are extra-sturdy to support a CPU shelf or file/storage bin for convenient swing-out access.

Anti-Tip Extension

Extensions stabilize the console on all in-line console configurations. Anti-tip extensions come standard with all end frames. Black powder-coat finish.

Data/Power Access

Openings for a universal data mounting plate (RJ-45, HDMI, CAT-5, CAT-5E, CAT-6, BNC, and S-Video) and/or duplex power are conveniently located at the back of the work surface on Sight-Line and Insight consoles.

Versa-Trak Monitor Mounting System

Integrated horizontal aluminum track system will support a wide variety of monitor arrays. Versa-Trak offers the ultimate in versatility with easy horizontal adjustment. Post-mounted VESA brackets provide vertical adjustability along with the ability to tilt and pivot the monitors.

Decorative TruForm End Panels

Complete the look of your console with our popular TruForm end panels. TruForm panels are available in a wide variety of colors. End panels can also be custom ordered in laminate or solid-surface materials.

Rack Mount Turret

Optional Sight-Line rack mount turrets can be positioned to meet your needs. Available in either 7" (4U), 10-1/2" (6U), or 19-1/4" (11U) by 19"W EIA rack space. Features a vented top. Decorative wood trim is available. 10-1/2" (6U) turret is available for Insight.

Adjustable Monitor Mounts

VESA-compliant pivot/tilt mounts easily attach monitors to a support post, and provides smooth pivot and pitch adjustment for optimal viewing of flat panel monitors.

Four Monitor Mount Post Heights

Available in four different heights: 15", 28-1/2", 42" and 60" so you can create a monitor array suitable for any application.

Optional M-View Monitor Wall

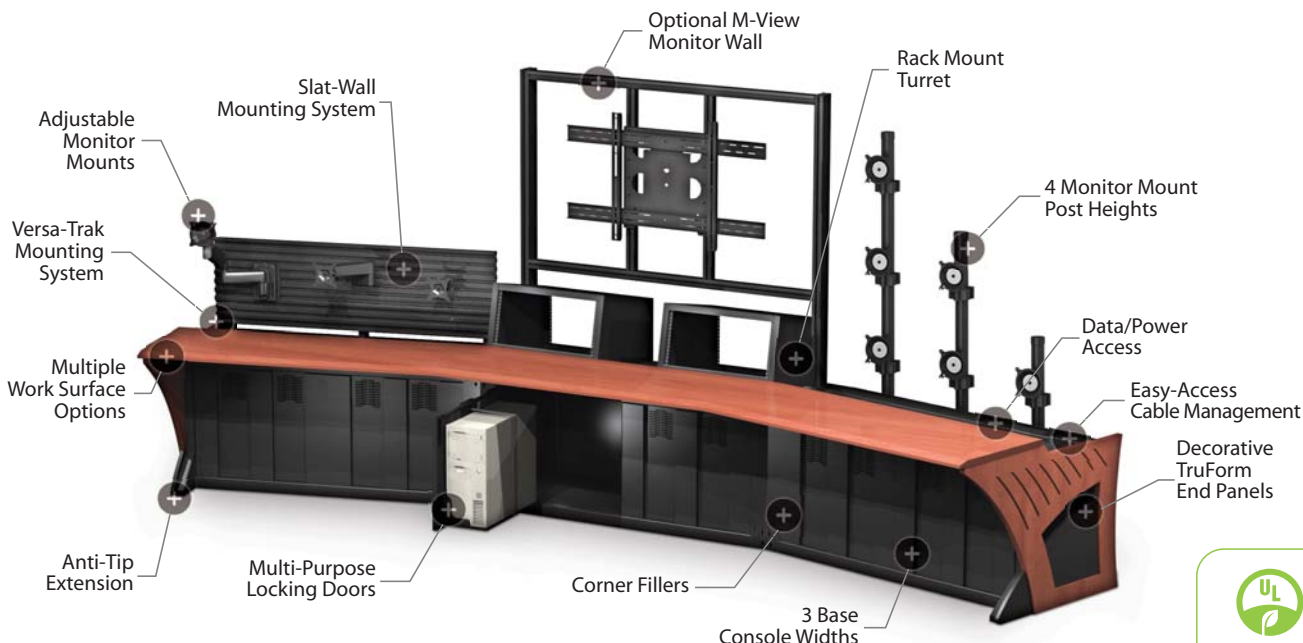
Sight-Line and Insight consoles work in tandem with our M-View monitor wall system to support large monitors over rack mount turrets.

Multiple Work Surface Options

Choose from four durable work surface options. Our innovative Endurance Plus, our proprietary Comfort Edge, our popular laminate with Safeguard, and flexible Corian® work surfaces are all available for our Prestige consoles.

Slat-Wall Mounting System

Constructed of high quality extruded 6105-T5 aluminum, the Slat-Wall system is 15" high and designed to support a variety of monitor mounts and accessories.





SIGHT-LINE CONSOLES

Sight-Line consoles feature our integrated Versa-Trak monitor mounting system, which offers the ultimate in adjustability. The Versa-Trak system allows users to optimize and easily modify sight lines and viewing angles based on personal needs. If you are looking for unparalleled beauty and function designed specifically for your needs, you have found the solution. Whether you need a single workstation or a complete control room, Sight-Line consoles are perfect for all installations.



SLAT-WALL CONSOLES

Our new Prestige Slat-Wall console takes flexibility to a new level. With several monitor mounts to choose from, there are virtually an infinite number of ways to configure and adjust your monitors. Eliminate clutter and add space with a selection of Slat-Wall accessories designed to keep you organized. Slat-Wall panels also enhance personal workspace by adding an element of privacy.



INSIGHT CONSOLES

Insight consoles incorporate all the features found in our popular Sight-Line console and then packages them into a compact profile that saves space and maximizes the number of operators able to staff the control room. If you are challenged for floor space, but want a fully functional console packed with features, Insight is the solution.



ASCEND CONSOLES

Keep your operators happy, healthy and productive with our Ascend sit/stand console. Changing positions throughout the day can help minimize physical stress and fatigue. Ascend provides a wide range of movement and easily allows operators to alternate between sitting and standing at the push of a button.



SINGLE-OPERATOR SIGHT-LINE CONSOLE

MODEL#	HEIGHT	WIDTH	DEPTH
W5723	28-1/2" (724mm)	78" (1981mm)	43-3/4" (1111mm)
COLOR	SIDE PANEL	WORK SURFACE	
BLACK	SHARK GREY TRUFORM	SHARK GRAY ENDURANCE PLUS	

72" Sight-Line console comes complete with three monitor mounts.

TRIPLE-OPERATOR SIGHT-LINE CONSOLE

MODEL#	HEIGHT	WIDTH	DEPTH
W5724	28-1/2" (724mm)	174-1/2" (4432mm)	61-1/2" (1562mm)
COLOR	SIDE PANEL	WORK SURFACE	
BLACK	WHITE TRUFORM	GRAPHITE NEBULA COMFORT EDGE	

Unique design provides ample space for three operators. Console includes three dual-mount LCD poles.



SINGLE-OPERATOR SLAT-WALL CONSOLE

MODEL#	HEIGHT	WIDTH	DEPTH
W5832	41-1/8" (1045mm)	78" (1981mm)	43-3/4" (1111mm)
COLOR	SIDE PANEL	WORK SURFACE	
BLACK	FUSION MAPLE LAMINATE	WILLIAMSBURG CHERRY COMFORT EDGE	

This 72" console is perfect for one operator. Comes complete with three monitor mounts.

SLAT-WALL CORNER CONSOLE

MODEL#	HEIGHT	WIDTH	DEPTH
W5833	41-1/8" (1045mm)	104-3/8" (2651mm)	57-1/4" (1454mm)
COLOR	SIDE PANEL	WORK SURFACE	
BLACK	ICONIC MAPLE LAMINATE	WHITE COMFORT EDGE	

Corner design wraps around the operator for maximum comfort. Console includes five monitor mounts.



CURVED <u>INSIGHT</u> CONSOLE			
MODEL#	HEIGHT	WIDTH	DEPTH
W6443	28-1/2" (724mm)	95" (2413mm)	39-3/4" (1010mm)
COLOR	SIDE PANEL	WORK SURFACE	
BLACK	ALMOND CHERRY TRUFORM	BILTMORE CHERRY COMFORT EDGE	

Two 15° corners form an ergonomic wrap-around configuration.



INSIGHT CONSOLE WITH CREDENZA			
MODEL#	HEIGHT	WIDTH	DEPTH
W6432	28-1/2" (724mm)	84-3/4" (2153mm)	68-3/8" (1737mm)
COLOR	SIDE PANEL	WORK SURFACE	
BLACK	REGIMENTAL BLUE LAMINATE	DOVE GREY COMFORT EDGE	

Corner console features a radial credenza for ample storage.



ASCEND CORNER CONSOLE			
MODEL#	HEIGHT	WIDTH	DEPTH
W5739	28-1/2" (724mm) - to - 44-1/2" (1030mm)	128-3/4" (3270mm)	58-5/8" (1489mm)
COLOR	SIDE PANEL	WORK SURFACE	
BLACK	SLATE GREY LAMINATE	BLUEBERRY MATRIX SAFEGUARD	

Sitting or standing, this adjustable console will keep your operators comfortable all day.



ASCEND CONSOLE WITH PENINSULA			
MODEL#	HEIGHT	WIDTH	DEPTH
W5729	35" (889mm) - to - 44-1/2" (1030mm)	188-1/8" (4778mm)	105-7/8" (2689mm)
COLOR	SIDE PANEL	WORK SURFACE	
BLACK	WINDSOR MAHOGANY LAMINATE	WINDSOR MAHOGANY COMFORT EDGE	

Dual-operator Ascend console features a center peninsula with extra storage space and three rack mount turrets.

AXIOM MONITOR MOUNTS: (1.5" DIA. MOUNTING POSTS)

W6471

15" Post - Single Monitor Post Mount, Vertical



W6472

28-1/2" Post - Dual Monitor Post Mount, Vertical



W6473

42" Post - Triple Monitor Post Mount, Vertical



W6491

15" Post - Single Monitor Articulating Arm



W6492

28-1/2" Post - Single Monitor Articulating Arm



W6493

28-1/2" Post - Dual Monitor Two Articulating Arms



A custom monitor wall can be integrated to support your larger monitors. Contact Winsted for details.



PRESTIGE MONITOR MOUNTS: (1.9" DIA. MOUNTING POSTS)

E5081

15" Post - Single Monitor Post Mount, Vertical



W5772

28-1/2" Post - Dual Monitor Post Mount, Vertical



W5773

42" Post - Triple Monitor Post Mount, Vertical



W5777

15" Post with Dual 15" Extension Arms



W5690

Dual-Post Large Monitor Mount (Supports 42" - 63" Monitors)



W5774

15" Post with 15" Extension Arm



W5775

28-1/2" Post with 15" Extension Arm



W5776

42" Post with Two 15" Extension Arms



W5778

15" Post with Height Adjustable Arm



W5698

28-1/2" Post with VESA Mount (Supports 26" - 45" Displays)



* 60" Pole with mounts available. Contact Winsted for details.

SLAT-WALL MONITOR MOUNTS

58171
Slat-Wall
Monitor Mount



58174
Dual-Hinge Slat-Wall
Monitor Mount



58178
Adjustable Height Slat-Wall
Monitor Mount



SLAT-WALL ACCESSORIES

PAPER TRAY

MODEL#	DIMENSIONS	WEIGHT
58160	1-3/4"H x 15"W x 9-1/2"D (44 x 381 x 241mm)	2 LBS.

Maximize your work surface with this hanging paper tray.



58160

PHONE CADDY

MODEL#	DIMENSIONS	WEIGHT
58161	1-3/4"H x 9"W x 10-3/4"D (44 x 229 x 273mm)	3 LBS.

Use this caddy to keep your phone within easy reach.



58161

VERTICAL PAPER ORGANIZER

MODEL#	DIMENSIONS	WEIGHT
58162	8"H x 6"W x 10-1/4"D (203 x 152 x 260mm)	5 LBS.

Keep papers and folders organized and out of the way with this stylish organizer.



58162



RADIAL END CREENZA

MODEL#	DESCRIPTION	WEIGHT
W5630	Left credenza for Sight-Line, Slat-Wall & Ascend	136 LBS.
W5631	Right credenza for Sight-Line, Slat-Wall & Ascend	136 LBS.
W6430	Left credenza for Insight only	110 LBS.
W6431	Right credenza for Insight only	110 LBS.

Form and function meet as the radial design provides ample storage with a stylish look. Includes work surface top.

RACK RAILS

MODEL#	DESCRIPTION	WEIGHT
56165	19-1/4" (11U) tapped rack rails (1 Pair)	5 LBS.
Easily mounts in the front and/or rear of the 24" wide chase.		
W5642	19-1/4" (11U) tapped rack rails (2 Pair) with brackets	10 LBS.

Rack mount kit for 48" and 72" chase ends.

LED TASK LIGHTS

MODEL#	DESCRIPTION	WEIGHT
W5664	Versa-Trak mounted task light	6 LBS.
W5665	LED task light for vertical Slat-Wall	6 LBS.

Optional Task Light features a three-bar design for ultimate reach and flexibility. The ultra-adjustable LED head can spin in its socket, sweep side to side, and rotate around the end of the arm to point in any direction. Dimming is easily controlled by a touchstrip located near the LED head for easy access.

56679	LED light with magnetic base and 18" flexible neck	1 LB.
10679	LED light with VESA mount and 18" flexible neck	1 LB.

Features a 6-foot cord and allows users to switch between white or red lights.

DOOR MOUNT FILE STORAGE BIN & CPU SHELF

MODEL#	DESCRIPTION	WEIGHT
56088	File storage bin, door mounted	14 LBS.
56087	CPU shelf, door mounted	6 LBS.

Provides convenient swing-out access to files and/or CPU. *Must be used with 56302 door, or the wood doors. Doors sold separately.

RACK MOUNT TURRETS

MODEL#	DESCRIPTION	WEIGHT
64032	10-1/2" (6U) Rack Turret, 12° Slope (Insight Only)	17 LBS.
56030	7" (4U) Rack Turret, 45° Slope	16 LBS.
W5660	7" (4U) Rack Turret with wood trim, 45° Slope	18 LBS.
56032	10-1/2" (6U) Rack Turret, 12° Slope	23 LBS.
W5661	10-1/2" (6U) Rack Turret with wood trim, 12° Slope	25 LBS.
56036	19-1/4" (11U) Rack Turret, 12° Slope	29 LBS.

Rack mount turrets mount easily to the chase and keep electronics within reach.

56981	27" ABS chase filler (Not Shown)	1 LBS.
-------	----------------------------------	--------

Use with rack turrets to enclose unused chase openings. Can be cut to size.

WOOD PRESTIGE CONSOLE DOORS

MODEL#	DESCRIPTION	WEIGHT
56569	Locking TruForm door left-hinged	10 LBS.
56570	Locking TruForm door right-hinged	10 LBS.
56565	Locking Laminate door left-hinged	10 LBS.
56567	Locking Laminate door right-hinged	10 LBS.

Coordinate your console doors with your side panels and/or work surface. Choose from a wide variety of colors.



TELEPHONE TRAY

MODEL#	OVERALL DIMENSIONS	WEIGHT
56250	13"H x 8-1/2"W x 6-3/8"D (330 x 216 x 162mm)	4 LBS.
W6469	13"H x 8-1/2"W x 6-3/8"D (330 x 216 x 162mm)	14 LBS.

Mounts at the back of the work surface for quick and easy access to a telephone.

Adjustable phone tray designed for Versa-Trak.



ELECTRICAL

MODEL#	DESCRIPTION	WEIGHT
56264	Single Box with mounting bracket	4 LBS.
56265	Dual Box with mounting bracket	5 LBS.
W5650	Six-Outlet Strip with mounting bracket	3 LBS.

56264 & W5650 brackets mount to intermediate and/or end frames. 56265 mounts to intermediate frame only.

64264	Single Box with mounting bracket (Insight Only)	3 LBS.
51710	Six-Outlet Strip (Insight Only)	2 LBS.

Mounts to Insight intermediate and/or end frames.

56264 / 64264



SIGHT-LINE CPU HOLDER

MODEL#	OVERALL DIMENSIONS	WEIGHT
56220	27-1/2"H x 12-1/2"W x 26"D (699 x 318 x 660mm)	47 LBS.

CPU Holder features an adjustable back and shelf. Inside dimensions are: 24-1/4"H x 9-3/8"W x 25"D (616 x 238 x 635mm). Can be positioned in-line or at the end of the console. Not compatible with Insight.



CONSOLE PARTITION

MODEL#	OVERALL DIMENSIONS	WEIGHT
W5900	18"H x 2"W x 26-1/2"D (457 x 51 x 673mm) - SIGHT-LINE	12 LBS.
W6500	18"H x 2"W x 21-1/2"D (457 x 51 x 546mm) - INSIGHT	10 LBS.

This stylish cloth partition helps create a private work space. The panel is affixed to a pole that is mounted on the Versa-Trak so it can be positioned where needed and easily moved. Constructed with a low density fiberboard core wrapped with a steel outer frame. Medium grey material.





64074



56029



W5780



64100



W5749

57730

INTERNAL CABLE TRAY

MODEL#	DESCRIPTION	WEIGHT
64072	Internal cable tray for 24"W base console	5 LBS.
64074	Internal cable tray for 48"W base console	9 LBS.
64076	Internal cable tray for 72"W base console	12 LBS.

Internal cable tray offers a large surface area for mounting cables and routing wires. Features four spring hinges for easy installation and repositioning. Works with all Prestige consoles. Can be mounted horizontally, front-to-back in Insight. Must be mounted vertically or at an angle in Sight-Line, Slat-Wall and Ascend. Can not be used with optional rack rails.

17-1/2" (10U) PRESTIGE RACK CABINET

MODEL#	DIMENSIONS	WEIGHT
56029	19-3/16"H x 23-3/4"W x 12"D (487 x 603 x 305mm)	40 LBS.

Welded rack mounts directly to the front frame of any Prestige console. Features spring pins for easy installation and repositioning, vented sides for cooling and all steel construction for durability. Black textured powder-coat finish.

PRESTIGE UTILITY SHELF

MODEL#	DIMENSIONS	WEIGHT
W5780	15"H x 22"W x 18"D (381 x 559 x 457mm)	20 LBS.
W5781	28-1/2"H x 32"W x 16"D (724 x 813 x 406mm)	34 LBS.

Add storage space and keep your work space clean and organized with this functional utility shelf. Shelf is affixed to poles that are mounted on the Versa-Trak so it can be positioned where needed and easily moved. W5780 features steel construction with black power coat paint. W5781 features laminated wood construction.

PRESTIGE LIFT-OFF PANEL

MODEL#	DESCRIPTION	WEIGHT
64100	Lift-off panel	9 LBS.

Lift off panel mounts to the front or the rear of any Prestige console and features a static latch for closure and easy removal.

PRESTIGE ASCEND REMOTE AND SMARTPHONE APP

MODEL#	DIMENSIONS	WEIGHT
W5749	1/2"H x 1-3/4"W x 5-1/2"D (13 x 44 x 140mm)	0.5 LBS.

Wireless remote allows the user to adjust the height of the Ascend work surface.

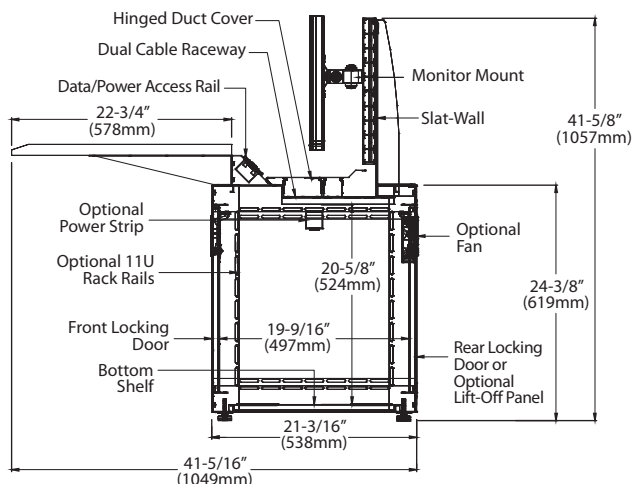
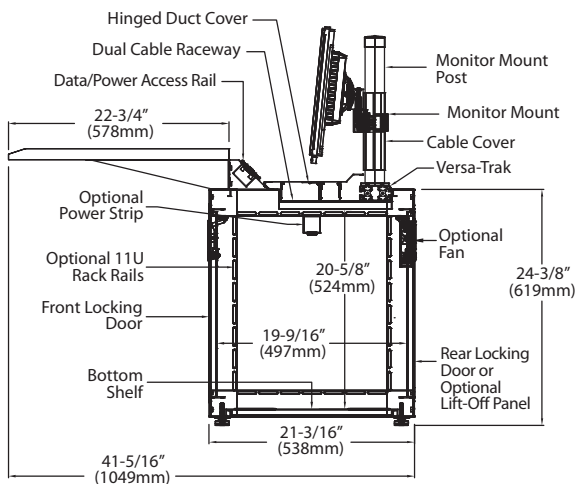
57730	7/16"H x 2-3/8"W (11 x 60mm) - Bluetooth® Adapter Only	0.25 LBS.
-------	--	-----------

The new, innovative and free Desk Control app allows you to use your phone to adjust your Ascend console. With the Bluetooth® Adapter you are easily up and running. • iOS (minimum 9.0) • Android (minimum 5.0)



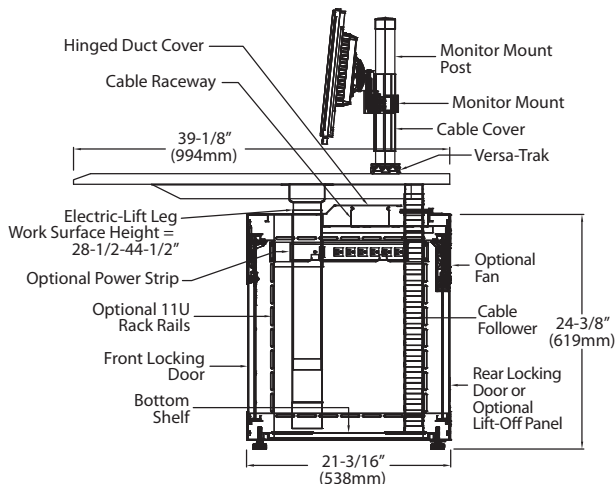
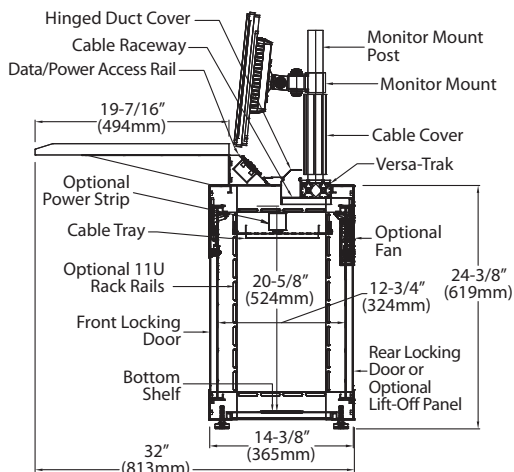
SIGHT-LINE

SLAT-WALL



INSIGHT

ASCEND





DUPLEX OUTLET INSTALLED

DYNA-LINQ™ MODULAR ELECTRICAL SYSTEM

SMART BOX



56730 - Smart Box



JUMPER CORD



56721 - 26"
56726 - 34"
56728 - 48"



DUPLEX OUTLET



56720 - Outlet
56115 - Mounting Plate

ENERGIZE YOUR CONSOLE

Dyna-Linq is a simple, flexible "plug and play" electrical system designed to power your Winsted Sight-Line or Insight console. Dyna-Linq is UL 962 approved and provides a modular, expandable and reconfigurable electrical system that doesn't require an electrician to install. Simply plug it into any standard outlet. **It couldn't be more convenient!**

HOW IT WORKS



56719 - SMART BOX BRACKET - SIGHT-LINE
64719 - SMART BOX BRACKET - INSIGHT

- Each Smart Box powers up to 8 Duplex Outlets
- Mount the outlets in the desired locations on the console
- Connect Jumper Cords to the outlets and link together
- Connect Smart Box anywhere in the run of outlets
- Plug the Smart Box into any standard wall outlet

If you purchase a Dyna-Linq system with your console, Winsted will waive the installation charge and install it for **free** prior to shipping!



AIR COMMAND™ PERSONAL ENVIRONMENTAL CONTROL SYSTEM

CLIMATE CONTROL UNIT



CONTROLLER AND VENT



56751 - SINGLE BAY - SIGHT-LINE & INSIGHT
56752 - DOUBLE BAY - SIGHT-LINE & INSIGHT

56754 - SINGLE BAY ASCEND CONSOLE
56755 - DOUBLE BAY ASCEND CONSOLE

CLIMATE CONTROL AT YOUR FINGERTIPS

Designed exclusively for our Prestige Series consoles, AirCommand is a UL® listed personal environmental control system that is convenient and easy to use. Now your operators can adjust the temperature to suit their own personal preferences. The Air Command system offers three fans speeds to circulate heated or ambient air. The system also cleans the air with a washable, replaceable, open-cell foam filter. The work surface vents are directionally adjustable and there is also an adjustable vent on the climate control unit mounted below the work surface. The 500 watt heater can raise the ambient temperature around the operator 30 degrees. The system will automatically shut off after 2 hours.



LAMINATE WITH SAFEGUARD™ WORK SURFACES



LAMINATE WITH SAFEGUARD

Choose from a broad range of colors, textures and patterns. We supply laminates from all the major manufacturers. The high-pressure laminate is bonded to a 1-1/8" thick MDF core for strength and the work surface is finished with our durable Safeguard Edge.

LAMINATE WITH SAFEGUARD FEATURES

- Durable high-pressure plastic laminate surface
- Available in a wide variety of colors and patterns
- Optional textures and gloss levels available
- Laminate is bonded to 1-1/8" thick MDF core
- Easy to clean and maintain
- Safeguard Edge provides exceptional durability



LAMINATE WITH SAFEGUARD

The sample Colors, Stains, Grains, and Finishes shown may vary slightly from actual product samples. If necessary, please request an actual product sample.



ENDURANCE PLUS™ WORK SURFACES



ENDURANCE PLUS

Through a proprietary process, we insert a continuous protective bumper material in the front edge of the work surface. This protective bumper significantly increases the durability of the work surface, which is often subject to heavy physical stress in 24/7 control room environments.

ENDURANCE PLUS FEATURES

- Continuous protective bumper inserted in the front edge for improved durability
- Ability to produce multidimensional profiles for comfortable edges and aesthetics
- Easily conforms to three-dimensional surfaces
- Easy to clean with soap and water
- Reduces visible seams
- Broad range of colors



ENDURANCE PLUS WORK SURFACE

The sample Colors, Stains, Grains, and Finishes shown may vary slightly from actual product samples. If necessary, please request an actual product sample.



COMFORT EDGE™ WORK SURFACES



COMFORT EDGE

Our urethane Comfort Edge work surface offers the ultimate in flexibility and durability. The black urethane edge is molded to 1-1/8" laminated medium density fiberboard and is available in a wide variety of colors. The Comfort Edge work surface features a smooth, contoured profile to improve operator comfort and maximize productivity.

COMFORT EDGE FEATURES

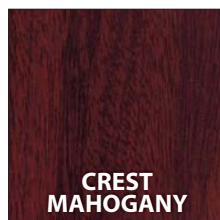
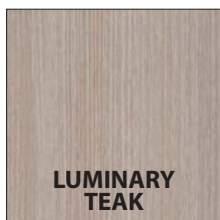
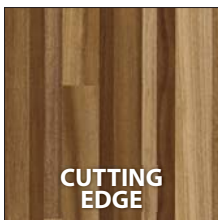
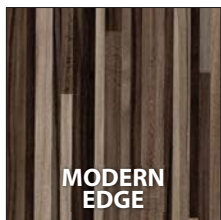
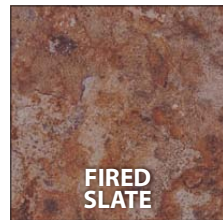
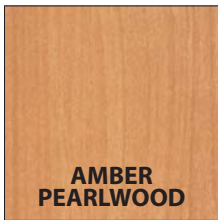
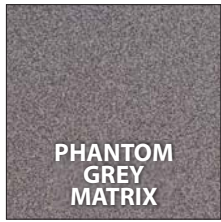
- Permanently bonded black urethane creates a long-lasting, water-tight seam with a smooth finish
- Ergonomic profile provides comfort and reduces the risk of injury due to sharp edges
- Antibacterial and antifungal additives promote a healthy work environment
- UV resistant urethane will not change color or deteriorate over time
- Suitable for the most demanding 24-7 control room operations
- Many laminate colors available



COMFORT EDGE WORK SURFACE

The sample Colors, Stains, Grains, and Finishes shown may vary slightly from actual product samples. If necessary, please request an actual product sample.

COMFORT EDGE: LAMINATE COLOR OPTIONS





CORIAN® WORK SURFACES



CORIAN®

Corian® work surfaces are durable and feature an attractive, seamless appearance. The solid colors penetrate through the entire thickness of the material so blemishes are easily repaired. The smooth, nonporous finish is hygienic and easy to clean, while being resistant to liquids and heat.

CORIAN® FEATURES

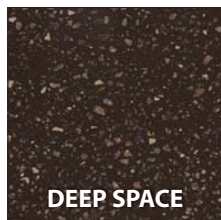
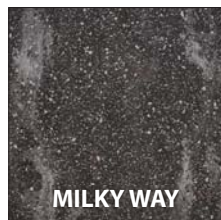
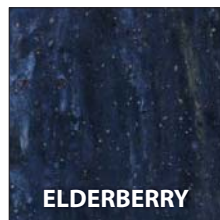
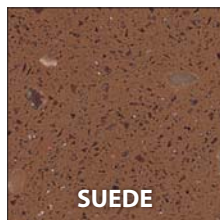
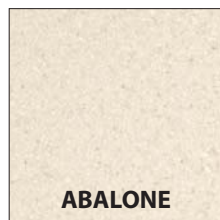
- Whatever the spill, Corian® is easy to clean and stain resistant because liquid cannot penetrate the surface
- Corian's durability and renewability with common abrasive cleaners reduces the need for replacement, which makes Corian® inherently environmentally friendly
- Joints are unobtrusive and impermeable with a seamless appearance
- Colors and patterns penetrate through the surface and cannot wear away
- Corian® is inert, nontoxic, chemically unreactive, hypoallergenic and fire resistant
- Advanced blend of natural minerals and acrylic polymer
- Corian's nonporous surface is very hygienic



CORIAN® WORK SURFACE

The sample Colors, Stains, Grains, and Finishes shown may vary slightly from actual product samples. If necessary, please request an actual product sample.

CORIAN®: COLOR OPTIONS





CUSTOM END PANEL GRAPHICS

Our custom graphics are printed with the highest quality inks, which produce very bright and vibrant colors that stand the test of time. The graphics are printed on a durable, premium-grade large format digital film with a UV protectant laminate. Make your console stand out with BIG IMPACT!

CUSTOM END PANEL GRAPHICS



ROUTERED PANEL WITH LOGO



SOLID PANEL WITH LOGO

SHOW YOUR IDENTITY

Add personality to your control room. We offer simple logo decals or complete end panel wraps with custom graphics. Contact Winsted for details.

EXAMPLES:





IMPULSE™ DUAL SIT/STAND CONSOLES

We are meant to move! Sit/stand consoles are a great choice for an ergonomic upgrade. Impulse Consoles take ergonomics and operator comfort to a whole new level by offering two independently adjustable, ergonomically curved work surfaces. Studies have shown that too much sitting can be detrimental to your health. Movement throughout the day is important to maintaining good health. Alternating between sitting and standing is a healthy activity that increases energy and reduces fatigue. Sit/stand consoles also provide adjustability to meet the needs of each individual operator.

PRODUCT FEATURES AND HIGHLIGHTS

Safeguard Edge Work Surface

Impulse consoles come standard with a durable, high pressure Graphite Nebula laminated work surface featuring our proprietary Safeguard Edge.

Versa-Trak Monitor Mounting System

Integrated horizontal aluminum track system will support a wide variety of monitor arrays. Versa-Trak offers the ultimate in versatility with easy horizontal adjustment. Post-mounted VESA brackets provide vertical adjustability along with the ability to tilt and pivot the monitors.

Electric-Lift Legs

Quickly and easily adjust the work surface height from 30" to 46" at the push of a button. Each work surface has a load capacity of 520 lbs.

Adjustable Monitor Mounts

VESA-compliant pivot/tilt mounts easily attach monitors to a support post, and provides smooth pivot and pitch adjustment for optimal viewing of flat panel monitors.

Perforated Privacy Panel

Decorative, perforated privacy panel conceals cables, enhances the look of the console and adds an element of privacy for the operator.

Easy-Access Cable Management

Enhance reliability while protecting and managing your cables. All Impulse consoles feature a large cable channel incorporated into the modesty panel. In addition, there are four vertical cable carriers that travel with the work surfaces.

Three Monitor Mount Post Heights

Available in three different heights: 15", 28-1/2", and 42" so you can create a monitor array suitable for any application.

CPU Pedestal

CPU pedestal with leg levelers mounts to the inside of the leg and features two slots for adjustable Velcro® straps to keep your CPU safe and secure.

Decorative End Panels (Optional)

Complete the look of your console with our popular TruForm end panels, which are available in a wide variety of colors. Optional end panels can also be custom ordered in laminate or solid-surface materials.

Powder-Coat Paint

The Impulse infrastructure is coated with a durable black powder-coat paint that accentuates the work surface. Textured finish prevents fingerprints and lasts for years.





IMPULSE PARADIGM



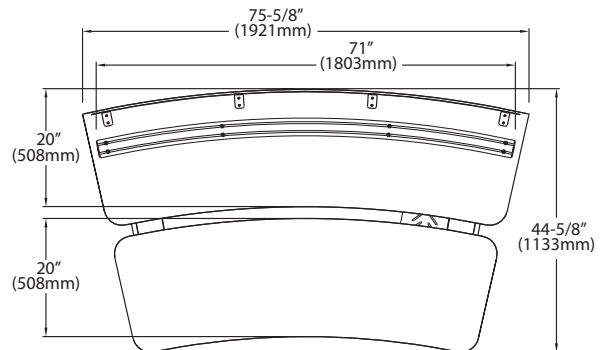
IMPULSE PARADIGM DUAL SIT/STAND CONSOLE

MODEL#	WORK SURFACE HEIGHT	WIDTH	DEPTH
B3211	30"-46" (762-1168mm)	75-5/8" (1921mm)	44-5/8" (1133mm)

Impulse Paradigm console sets the standard. Monitor mounts sold separately. See page 37.

HEALTHY MOVEMENT

Standing at your desk for three hours a day during the typical five-day workweek burns about 750 calories. Over the course of a year that adds up to more than 30,000 extra calories, which is the equivalent of running about 10 marathons.¹



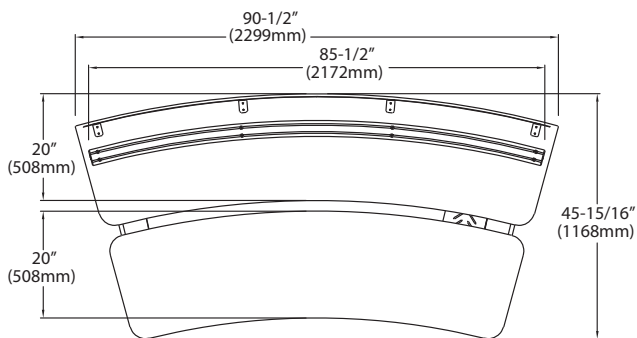
¹ Mosley, M. (2013, Oct. 16). Calorie Burner. Retrieved from www.bbc.com



IMPULSE AMPLIFY

BOOST MORALE

Sit/stand desks are height-adjustable to provide the ideal fit for each individual. People who are more comfortable and better able to accomplish their tasks will find greater satisfaction in their jobs, thus improving the morale of the organization.



IMPULSE AMPLIFY DUAL SIT/STAND CONSOLE

MODEL#	WORK SURFACE HEIGHT	WIDTH	DEPTH
B3231	30"-46" (762-1168mm)	90-1/2" (2299mm)	45-15/16" (1168mm)

Impulse Amplify console offers an extra-large work area. Monitor mounts sold separately. See page 37.



IMPULSE ALCOVE



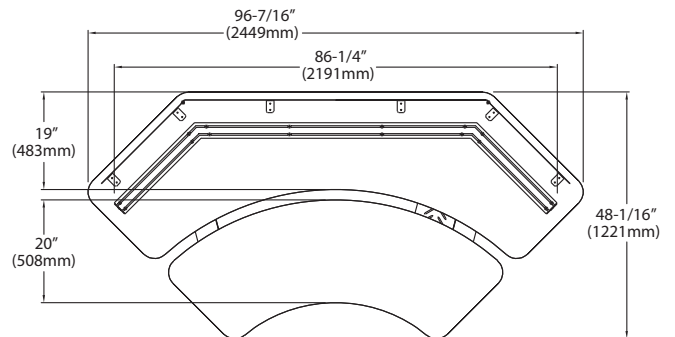
IMPULSE ALCOVE DUAL SIT/STAND CONSOLE

MODEL#	WORK SURFACE HEIGHT	WIDTH	DEPTH
B3251	30"-46" (762-1168mm)	96-7/16" (2449mm)	48-1/16" (1221mm)

Impulse Alcove console features a compact 90° corner configuration. Monitor mounts sold separately. See page 37.

ACHIEVE MORE

According to a study conducted by the Draugiem Group, standing leads to a 10 percent increase in productivity. Standing for periods during the workday also results in higher energy levels, improved concentration and fewer headaches.²



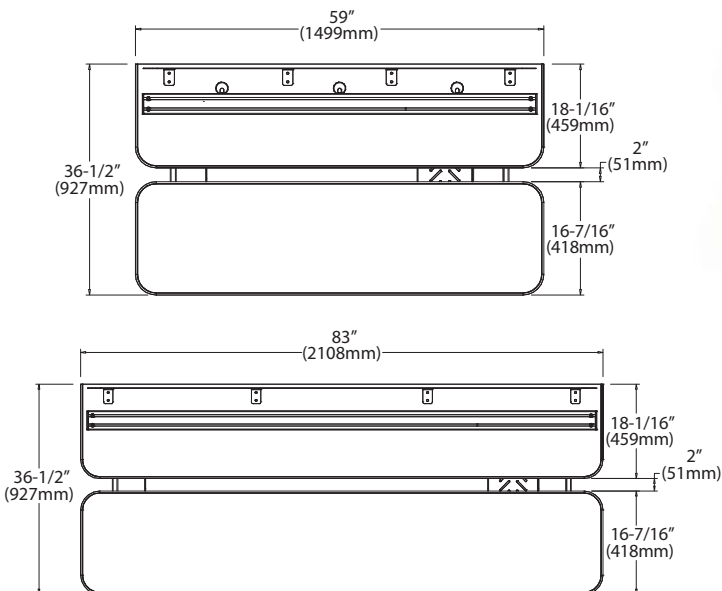
² Gifford, G. (2013, Sept. 26). *We Tested Standing Desks*. Retrieved from www.readwrite.com



IMPULSE LINEAR

COMPACT PROFILE

All the great features of our popular curved Impulse consoles in a space-saving straight configuration. Available in 59" and 83" widths.



IMPULSE LINEAR DUAL SIT/STAND CONSOLES

MODEL#	WORK SURFACE HEIGHT	WIDTH	DEPTH
B3261	30"-46" (762-1168mm)	59" (1499mm)	36-1/2" (927mm)
B3271	30"-46" (762-1168mm)	83" (2108mm)	36-1/2" (927mm)

Impulse Linear consoles offer a compact profile. Monitor mounts sold separately. See page 37.



M-VIEW RIZE



HEIGHT
ADJUSTABLE

M1082

SIT/STAND MONITOR WALL

M-View Rize is the perfect compliment to any console system, including all Impulse consoles. As the operator changes the height of the console, the M-View Rize is able to adjust the height of the monitors on the wall in order to maintain proper ergonomics and optimal sight lines. Available in two standard configurations. We offer a 43" wide configuration for a single monitor and an 83" wide configuration for dual monitors.

M-VIEW RIZE MONITOR WALLS

MODEL#	DIMENSIONS
M1082	87"H x 43"W x 24-3/8"D (2210 x 1092 x 619mm)
M1088	87"H x 83"W x 24-3/8"D (2210 x 2108 x 619mm)

Electric actuators adjust monitor height at the push of a button.

AXIOM MONITOR MOUNTS: (1.5" DIA. MOUNTING POSTS)

W6471
15" Post - Single Monitor
Post Mount, Vertical



W6472
28-1/2" Post - Dual Monitor
Post Mount, Vertical



W6473
42" Post - Triple Monitor Post
Mount, Vertical



W6469
Adjustable Phone Tray
Mount, Vertical



W6491
15" Post - Single Monitor
Articulating Arm



W6492
28-1/2" Post - Single Monitor
Articulating Arm



W6493
28-1/2" Post - Dual Monitor
Two Articulating Arms



**FREE
DESIGN
SERVICE**

IMPULSE ACCESSORIES

IMPULSE WIRELESS REMOTE

MODEL#	DIMENSIONS	WEIGHT
B3249	1/2"H x 1-3/4"W x 5-1/2"D (13 x 44 x 140mm)	0.5 LBS.

Wireless remote allows the user to adjust the height of both Impulse work surfaces.



POWER OUTLET WITH CIRCUIT BREAKER

MODEL#	DESCRIPTION	AMP	OUTLET LENGTH	WEIGHT
30701	Six-outlet	15	12-1/4" (311mm)	3 LBS.

Lighted On/Off switch. Mounts anywhere on the underside of either work surface. Features a 15 foot cord.



CPU PEDESTAL

MODEL#	DESCRIPTION	WEIGHT
32087	CPU Pedestal - 8"W x 19-1/2"D (203 x 495mm)	5 LBS.
12765	Velcro Strap 1" x 96" long (25 x 2438mm)	0.5 LBS.

CPU pedestal with leg levelers mounts to the inside of the leg and features two slots for adjustable Velcro straps (Part# 12765).





ENVISION™ COMMAND CONSOLES

Winsted's EnVision Command Console is the next-generation console built for today's technology. A progressive new modular design offers the perfect balance of form, function and ergonomics suitable for any control room application large or small.

PRODUCT FEATURES AND HIGHLIGHTS

Multiple Configurations

EnVision comes standard in 42", 60" and 84" widths and can be designed as a single, double or triple tier configuration. Each tier can support single or dual Slat-Wall sections for a track height of 7-1/2" or 15". Combine multiple widths with your choice of corner angles to create the perfect solution.

Multiple Work Surface Options

Choose from multiple work surface options. Our proprietary Endurance Plus, Comfort Edge and laminate with Safeguard are available for EnVision consoles.

Adjustable Monitor Mounts

VESA-compliant pivot/tilt mounts easily attach monitors to the Slat-Wall and provide smooth pivot and pitch adjustment for optimal viewing angles and ergonomic sight lines.

Slat-Wall Accessories

Put the finishing touches on your console and maximize it's functionality with a wide variety of accessories specifically designed to mount on EnVision's Slat-Wall.

Slat-Wall Mounting System

Constructed of high-quality extruded 6105-T5 aluminum, the Slat-Wall system can be designed as a 7-1/2" or 15" high solution designed to support a variety of monitor mounts and convenient accessories. Multiple mounting positions on each tier means the Slat-Wall can be positioned exactly where you need it.

Extra-Deep Rear Cable Tray

Cable management should be convenient and flexible. EnVision Command Consoles come standard with a cable trough that simply hooks onto the Slat-Wall, no tools required. Place the cable trough where you need it and you'll have fast, easy access for installation, maintenance and upgrades. The extra-deep design allows room for power outlets and large cable bundles on integrated lacing loops.

Work Surface Cable Tray

Located where you work the most, the integrated cable tray located behind the work surface keeps your work area clean and organized while protecting and organizing your wires and cables.

Adjustable CPU Holder

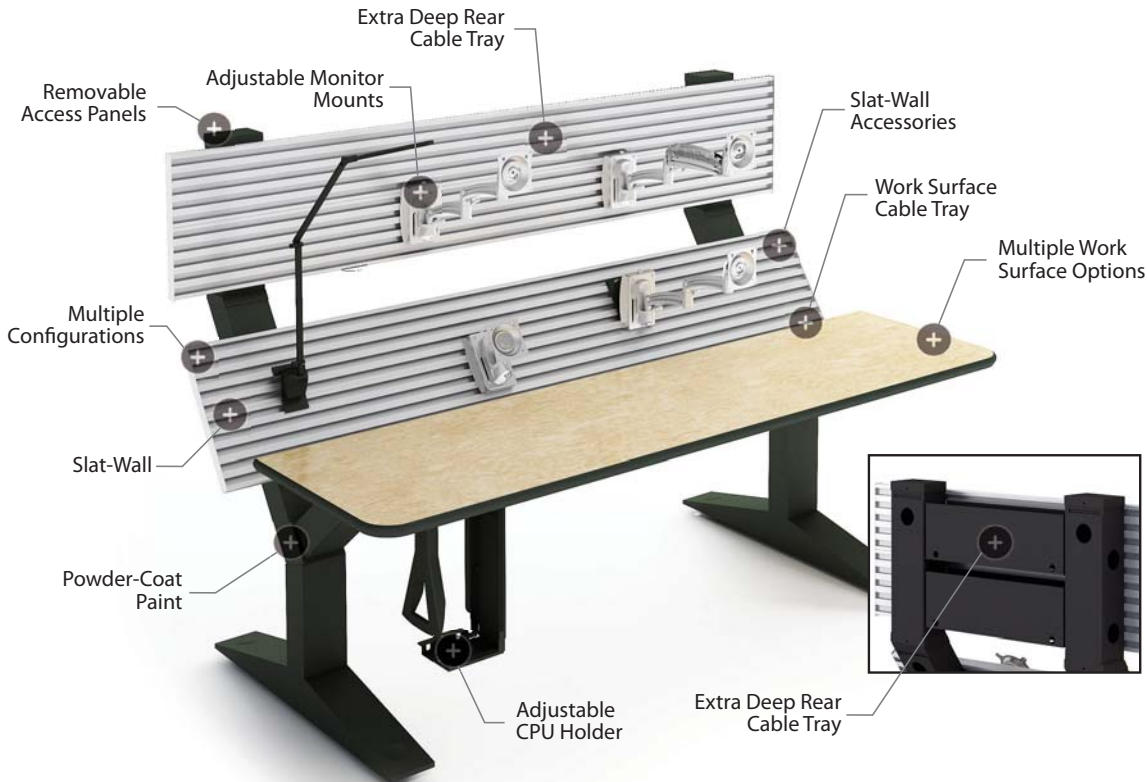
CPU mount provides easy access to the front and rear of your computer system. The articulating mount extends forward, includes a 90° swivel, and fits CPUs from 13-1/2" to 21-1/2"H by 5-3/8" to 9-3/8"W.

Powder-Coat Paint

EnVision's steel infrastructure is coated with a durable black powder-coat paint that accentuates the work surface and Slat-Wall. The elegant textured finish prevents fingerprints and provides uncompromising durability.

Removable Rear Access Panels

EnVision's support legs feature full-length removable rear access panels to provide quick, easy access to cables for simple installation and reduced maintenance time.





ENVISION

COMMAND CONSOLES

TAKE COMMAND

Winsted's EnVision Command Console is the next-generation console built for today's technology. A progressive new modular design offers the perfect balance of form, function and ergonomics suitable for any control room application large or small. EnVision features a modern, open architecture design without the limitations of predefined corner angles. EnVision is available as a single, double or triple tier modular solution that can be expanded as needs and technology change. In any configuration, your sight lines and viewing angles will be ergonomically correct and your operators will be comfortable and productive.

FEATURES

- Modern Ergonomic Design
- No Predefined Corner Angles
- Unlimited Corner Configurations
- Easily Expandable
- Flexible Slat-Wall Mounting
- Optimized Sight Lines





B3047

PRECONFIGURED ENVISION CONSOLES

MODEL#	DESCRIPTION	OVERALL DIMENSIONS	COLOR
B3013	42" WIDE - SINGLE TIER WITH 7-1/2" H SLAT-WALL	40-1/8" H x 42" W x 43-5/8" D (1019 x 1067 x 1108mm)	BLACK WITH SILVER SLAT-WALL
B3015	60" WIDE - SINGLE TIER WITH 7-1/2" H SLAT-WALL	40-1/8" H x 60" W x 43-5/8" D (1019 x 1524 x 1108mm)	BLACK WITH SILVER SLAT-WALL
B3017	84" WIDE - SINGLE TIER WITH 7-1/2" H SLAT-WALL	40-1/8" H x 84" W x 43-5/8" D (1019 x 2134 x 1108mm)	BLACK WITH SILVER SLAT-WALL
B3023	42" WIDE - SINGLE TIER WITH 15" H SLAT-WALL	40-1/8" H x 42" W x 43-5/8" D (1019 x 1067 x 1108mm)	BLACK WITH SILVER SLAT-WALL
B3025	60" WIDE - SINGLE TIER WITH 15" H SLAT-WALL	40-1/8" H x 60" W x 43-5/8" D (1019 x 1524 x 1108mm)	BLACK WITH SILVER SLAT-WALL
B3027	84" WIDE - SINGLE TIER WITH 15" H SLAT-WALL	40-1/8" H x 84" W x 43-5/8" D (1019 x 2134 x 1108mm)	BLACK WITH SILVER SLAT-WALL
B3033	42" WIDE - DOUBLE TIER WITH 7-1/2" H SLAT-WALL	57-1/8" H x 42" W x 43-5/8" D (1451 x 1067 x 1108mm)	BLACK WITH SILVER SLAT-WALL
B3035	60" WIDE - DOUBLE TIER WITH 7-1/2" H SLAT-WALL	57-1/8" H x 60" W x 43-5/8" D (1451 x 1524 x 1108mm)	BLACK WITH SILVER SLAT-WALL
B3037	84" WIDE - DOUBLE TIER WITH 7-1/2" H SLAT-WALL	57-1/8" H x 84" W x 43-5/8" D (1451 x 2134 x 1108mm)	BLACK WITH SILVER SLAT-WALL
B3043	42" WIDE - DOUBLE TIER WITH 15" H SLAT-WALL	57-1/8" H x 42" W x 43-5/8" D (1451 x 1067 x 1108mm)	BLACK WITH SILVER SLAT-WALL
B3045	60" WIDE - DOUBLE TIER WITH 15" H SLAT-WALL	57-1/8" H x 60" W x 43-5/8" D (1451 x 1524 x 1108mm)	BLACK WITH SILVER SLAT-WALL
B3047	84" WIDE - DOUBLE TIER WITH 15" H SLAT-WALL	57-1/8" H x 84" W x 43-5/8" D (1451 x 2134 x 1108mm)	BLACK WITH SILVER SLAT-WALL

In stock and ready to ship with Graphite Nebula laminate work surface with Safeguard edge. Monitor mounts sold separately. See page 44.



DOUBLE-TIER ENVISION CONSOLE

MODEL#	HEIGHT	WIDTH	DEPTH
B3065	57-1/4" (1454mm)	84" (2134mm)	47-1/4" (1200mm)
COLOR	WORK SURFACE COLOR	SLAT-WALL	
BLACK	GRAPHITE NEBULA SAFEGUARD EDGE	DOUBLE-TIER 15" HIGH	

Double-Tier EnVision console features a customized kidney bean shaped work surface with grey Safeguard Edge. Comes complete with monitor mounts and task light as shown.



DUAL-WING ENVISION CONSOLE

MODEL#	HEIGHT	WIDTH	DEPTH
B3067	57-1/8" (1451mm)	145" (3683mm)	66" (1676mm)
COLOR	WORK SURFACE COLOR	SLAT-WALL	
BLACK	PAPIER LUNE SAFEGUARD EDGE	SINGLE & DOUBLE TIER 7-1/2" HIGH	

Dual-Wing EnVision Console features a single-tier center section for open monitor wall viewing. Comes complete with nine pivot/tilt monitor mounts (75x75mm/100x100mm).



ENVISION CORNER CONSOLE

MODEL#	HEIGHT	WIDTH	DEPTH
B3068	57-1/8" (1451mm)	135" (3429mm)	93" (2362mm)
COLOR	WORK SURFACE COLOR	SLAT-WALL	
BLACK	MAROOCHY BRUSH SAFEGUARD EDGE	DOUBLE-TIER 15" HIGH	

EnVision Corner Console comes complete with two 4U Rack Cabinets, three Task Lights, six Articulating Monitor Arms and eight pivot/tilt monitor mounts.



THREE-POSITION ENVISION CONSOLE

MODEL#	HEIGHT	WIDTH	DEPTH
B3066	40-1/8" (1019mm)	122" (3099mm)	122" (3099mm)
COLOR	WORK SURFACE COLOR	SLAT-WALL	
BLACK	VOUS METAL SAFEGUARD EDGE	SINGLE-TIER 15" HIGH	

Three-Position EnVision Console comes complete with six pivot/tilt monitor mounts and three radial credenzas for ample storage.



30175

30172



30178

B3053



B3090

B3091



B3055



30031

MONITOR MOUNTS

MODEL#	DESCRIPTION	WEIGHT
30175	Articulating arm monitor mount - Vertical Slat-Wall	6 LBS.
Articulating arm monitor mount features adjustable tension at pivot points for customized control suitable for touchscreen use. Silver finish.		
30172	Pivot/tilt monitor mount - Vertical and Sloped Slat-Wall	4 LBS.
Monitor mount features adjustable tension at pivot points for customized control, suitable for touchscreen use. Silver finish.		

HEIGHT-ADJUSTABLE PIVOT/TILT MONITOR MOUNTS

MODEL#	DESCRIPTION	WEIGHT
30178	Articulating arm monitor mount - Vertical Slat-Wall	10 LBS.
B3053	Articulating arm monitor mount - Sloped Slat-Wall	13 LBS.
Articulating arm monitor mount features adjustable tension at pivot points for customized control suitable for touchscreen use. Designed for 10" - 30" monitors and is compatible with 75 x 75mm and 100 x 100mm VESA mounting patterns. Mounts have a weight capacity of 25 pounds. Arm extends 20.08" and features 13" of dynamic height adjustment using smooth-motion gas spring technology. Silver finish.		

MONITOR MOUNT - PHONE TRAY

MODEL#	DESCRIPTION	WEIGHT
B3090	Adjustable phone tray - Sloped Slat-Wall	11 LBS.
Phone tray is designed to mount to the sloped EnVision Slat-Wall.		
B3091	Articulating monitor mount - Sloped Slat-Wall	8 LBS.
Monitor mount designed to mount to the sloped EnVision Slat-Wall.		

UNIVERSAL LARGE MONITOR MOUNT

MODEL#	OVERALL DIMENSIONS	COLOR	WEIGHT
B3055	16-1/2"H x 30-3/4"W x 2"D (419 x 781 x 51mm)	BLACK	14 LBS.
Heavy-Duty construction provides a low-profile mounting solution for 32"-52" monitors. Mount allows 0-12° of tilt and has a weight capacity of 125 pounds. Designed for vertical Slat-Wall.			

4U ENVISION RACK MOUNT CABINET

MODEL#	DIMENSIONS	WEIGHT
30031	9-1/8"H x 21-1/16"W x 6"D (232 x 535 x 152mm)	5 LBS.
4U rack cabinet easily mounts to the sloped or vertical Slat-Wall tiers providing convenient access to rack mounted equipment. Black textured powder coat finish.		

POWER OUTLET WITH CIRCUIT BREAKER

MODEL#	DESCRIPTION	AMP	OUTLET LENGTH	WEIGHT
30701	Six-outlet	15	12-1/4" (311mm)	4 LBS.

Lighted On/Off switch. Mounts inside rear lift-off cable tray. Features a 15 foot cord.



REAR ACCESSORY TRAY FOR SLOPED SLAT-WALL

MODEL#	DESCRIPTION	WEIGHT
30080	EnVision accessory tray	4 LBS.

This convenient accessory tray mounts to the rear of the sloped EnVision Slat-Wall. The surface is 16" wide by 8" deep and has a 20 pound weight capacity. Black textured powder coat finish.



CONTEMPORARY LED TASK LIGHT

MODEL#	DESCRIPTION	WEIGHT
W5665	LED task light - Vertical Slat-Wall	4 LBS.
B3056	LED task light - Sloped Slat-Wall	4 LBS.

Optional Task Light features a three-bar design for ultimate reach and flexibility. The ultra-adjustable LED head can spin in its socket, sweep side to side, and rotate around the end of the arm to point in any direction. Dimming is easily controlled by a touchstrip located near the LED head for easy access.



ENVISION PENCIL DRAWER

MODEL#	DIMENSIONS	WEIGHT
B3099	2-3/8"H x 13-3/4"W x 18"D (60 x 349 x 457mm)	4 LBS.

Mounts to the underside of any EnVision work surface. Pulls out 12-3/4" (324mm). Black formed plastic.



PULLOUT, SWIVEL CPU MOUNT

MODEL#	DESCRIPTION	WEIGHT
B3098	Extends forward with 90° swivel	12 LBS.

Fits CPUs from 13-1/2" to 21-1/2" High (343 to 546mm) by 5-3/8" to 9-3/8" Wide (137 to 238mm). Black finish.





E-SOC™ CONTROL STATION

Winsted's innovative E-SOC Control Station is the perfect balance between our award-winning Prestige Console and our Multimedia Workstations. E-SOC features the Versa-Trak monitor mounting system for ergonomic comfort and adjustability. Lift-off access panels, integrated cable management and a hinged corner make E-SOC a flexible and feature-rich solution suitable for any application.

PRODUCT FEATURES AND HIGHLIGHTS

Endurance Plus Work Surface

E-SOC comes standard with our proprietary Endurance Plus Work Surface. Comfort Edge and Laminate with Safeguard work surface options are also available.

Versa-Trak Monitor Mounting System

Integrated horizontal aluminum track system will support a wide variety of monitor arrays. Versa-Trak offers the ultimate in versatility with easy horizontal adjustment. Post-mounted VESA brackets provide vertical adjustability along with the ability to tilt and pivot the monitors.

Rack Mount Turret

Optional 10-1/2" (6U) 7° sloped rack mount turret easily mounts to the E-SOC chase to keep electronics within easy reach. Features a vented top to keep electronics cool. Black textured power-coat finish.

Adjustable Monitor Mounts

VESA-compliant pivot/tilt mounts easily attach monitors to a support post, and provides smooth pivot and pitch adjustment for optimal viewing of flat panel monitors.

Vented Modesty Panel

Decorative, vented modesty panel features convenient lift-off panels for easy access to cables, electronics and CPUs. Integrated cable management with lacing loops enhances the feature set of the E-SOC.

Rack Mount Cabinet

Winsted offers a 19" EIA Rack Mount Cabinet to compliment your Control Station. A wide range of shelves and accessories are available to build the perfect rack solution.

Easy-Access Cable Management

Enhance reliability while protecting and managing your cables. All E-SOC Control Stations feature a cable channel with lacing loops incorporated into the modesty panel and a large, drop-down hinged cable tray that spans the length of the modesty panel.

Three Monitor Mount Post Heights

Available in three different heights: 15", 28-1/2", and 42" so you can create a monitor array suitable for any application.

CPU Mount

CPU mount provides easy access to the front and rear of your computer system. The articulating mount extends forward, includes a 90° swivel, and fits CPUs from 13-1/2" to 21-1/2"H by 5-3/8" to 9-3/8"W.

Optional Task Light

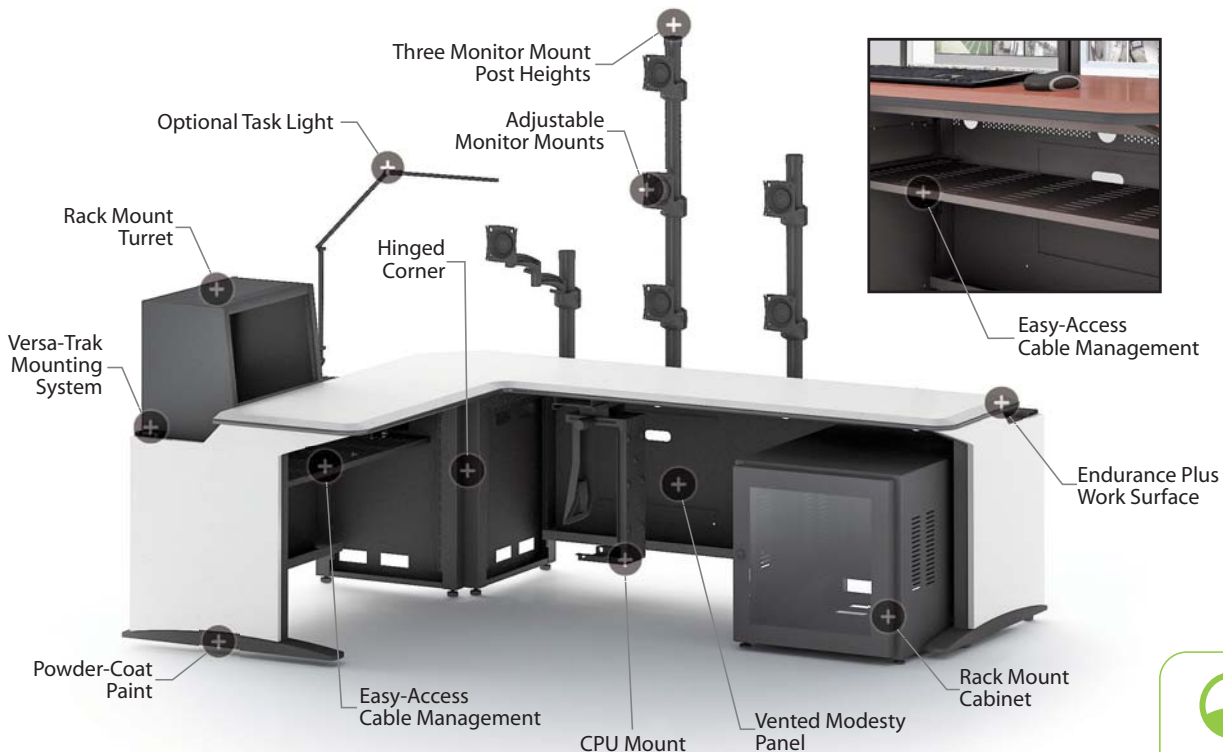
Optional Task Light features a three-bar design for ultimate reach and flexibility. The ultra-adjustable LED head can spin in its socket, sweep side to side, and rotate around the end of the arm to point in any direction. A brightness touchstrip is located near the LED head for easy access.

Powder-Coat Paint

The E-SOC infrastructure is coated with a durable black powder-coat paint that accentuates the work surface. Textured finish prevents fingerprints from showing and lasts for years.

Hinged Corner

E-SOC's innovative hinged corner offers the ultimate in flexibility. With no pre-defined corner angles, E-SOC can be designed to fit in your unique space.





E-SOC
CONTROL STATION

CONTROL ROOM FUSION

Ergonomic improvements result in greater comfort and improve the performance of operators monitoring complex systems. E-SOC combines a comprehensive set of features to keep your operators aware of what's going on at all times. Part workstation and part console, E-SOC Control Station is a ground-breaking fusion of our workstations and our award winning consoles. E-SOC offers the flexibility, the feature set and the price point to suit any control room installation small or large.

FEATURES

- Modular and Expandable
- Ergonomically Correct
- Improved Operator Performance
- Ample Cable Management
- Infinite Corner Configurations





60" E-SOC CONTROL STATION

MODEL#	HEIGHT	WIDTH	DEPTH
B4314	28-7/8" (733mm)	60" (1524mm)	34-5/8" (879mm)
BASE COLOR	SIDE PANEL	WORK SURFACE	
BLACK	CONCRETE TRUFORM	CONCRETE ENDURANCE PLUS	

60" wide E-SOC Control Station features the Versa-Trak monitor mounting system and comes complete with three W6491 articulating monitor mounts (See page 53). To order this Control Station without the monitor mounts, please use model number B4304.

48" E-SOC CONTROL STATION

MODEL#	HEIGHT	WIDTH	DEPTH
B4312	28-7/8" (733mm)	48" (1219mm)	34-5/8" (879mm)
BASE COLOR	SIDE PANEL	WORK SURFACE	
BLACK	CONCRETE TRUFORM	CONCRETE ENDURANCE PLUS	

48" wide E-SOC Control Station features the Versa-Trak monitor mounting system and comes complete with two W6491 articulating monitor mounts (See page 53). To order this Control Station without the monitor mounts, please use model number B4302.



72" E-SOC CONTROL STATION

MODEL#	HEIGHT	WIDTH	DEPTH
B4316	28-7/8" (733mm)	72" (1829mm)	34-5/8" (879mm)
BASE COLOR	SIDE PANEL	WORK SURFACE	
BLACK	CONCRETE TRUFORM	CONCRETE ENDURANCE PLUS	

72" wide E-SOC Control Station features the Versa-Trak monitor mounting system and comes complete with four W6491 articulating monitor mounts (See page 53). To order this Control Station without the monitor mounts, please use model number B4306.

60" E-SOC CONTROL STATION WITH RACK

MODEL#	HEIGHT	WIDTH	DEPTH
B4324	28-7/8" (733mm)	60" (1524mm)	34-5/8" (879mm)
BASE COLOR	SIDE PANEL	WORK SURFACE	
BLACK	CONCRETE TRUFORM	CONCRETE ENDURANCE PLUS	

60" wide E-SOC Control Station with 19-1/4" (11U) equipment rack features the Versa-Trak monitor mounting system and comes complete with three W6491 articulating monitor mounts (See page 53).



U-SHAPED E-SOC CONTROL STATION

MODEL#	HEIGHT	WIDTH	DEPTH
B4363	28-7/8" (733mm)	113-1/8" (2873mm)	78-7/16" (1992mm)
BASE COLOR	SIDE PANEL	WORK SURFACE	
BLACK	AMERICAN NATURAL TRUFORM	BASKET WEAVING LAMINATE	

This U-shaped Control Station consists of two 60" sections, one 72" section and two 90 degree corners. Comes complete with Versa-Trak monitor mounting system and ten W6491 articulating monitor mounts (See page 53).



CORNER E-SOC CONTROL STATION

MODEL#	HEIGHT	WIDTH	DEPTH
B4360	28-7/8" (733mm)	140-1/4" (3562mm)	60-1/2" (1537mm)
BASE COLOR	SIDE PANEL	WORK SURFACE	
BLACK	SHARK GREY TRUFORM	CARBON EV LAMINATE	

This Corner Control Station consists of three 48" sections and two 45 degree corners. Comes complete with Versa-Trak monitor mounting system and six W6471 pivot/tilt monitor mounts (See page 53).



L-SHAPED E-SOC CONTROL STATION

MODEL#	HEIGHT	WIDTH	DEPTH
B4361	28-7/8" (733mm)	92-3/16" (2342mm)	92-3/16" (2342mm)
BASE COLOR	SIDE PANEL	WORK SURFACE	
BLACK	BOSTON CHERRY TRUFORM	NATURAL PEAR LAMINATE	

This L-shaped Control Station consists of two 72" sections and one 90 degree corner. Comes complete with Versa-Trak monitor mounting system and six W6491 articulating monitor mounts (See page 53).



CURVED E-SOC CONTROL STATION

MODEL#	HEIGHT	WIDTH	DEPTH
B4362	28-7/8" (733mm)	234-11/16" (5961mm)	54-3/4" (1391mm)
BASE COLOR	SIDE PANEL	WORK SURFACE	
BLACK	SHARK GREY TRUFORM	VOUS MOD LAMINATE	

This Curved Control Station consists of five 48" sections and four 10 degree corners. Comes complete with Versa-Trak monitor mounting system and ten W6471 pivot/tilt monitor mounts (See page 53).



WELDED 19-1/4" (11U) RACK WITH PLEXI DOOR

MODEL#	DIMENSIONS	WEIGHT
43009	22-7/16"H x 22"W x 28"D (570 x 559 x 711mm)	82 LBS.

Welded 19-1/4" (11U) equipment rack comes complete with front and rear tapped rack rails, removable back panel, leg levelers and plexiglas front door. Side panels are vented and the removable back panel allows for two 1-3/4" openings at the top and bottom for cooling and cabling.



43260

CPU MOUNTS

MODEL#	DESCRIPTION	WEIGHT
43260	Stationary CPU mount	8 LBS.

Fits CPU's from 13-1/2" to 21-1/2" High (343 to 546mm) by 5-3/8" to 9-3/8" Wide (137 to 238mm). Black finish.

43261	Pull-out swivel CPU mount	6 LBS.
-------	---------------------------	--------

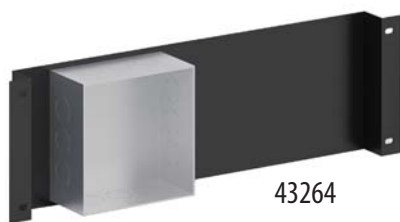
Fits CPU's from 8" to 16-3/4" High (203 to 425mm) by 3" to 7" Wide (76 to 178mm). Black finish.



RACK MOUNT TURRET

MODEL#	DIMENSIONS	WEIGHT
43032	16-1/16"H x 21-3/16"W x 12-7/8"D (408 x 538 x 327mm)	18 LBS.

10-1/2" (6U) 7° sloped rack mount turret easily mounts to the E-SOC chase to keep electronics within easy reach. Features a vented top to keep electronics cool. Black textured power-coat finish.



43264

ELECTRICAL BOX

MODEL#	DESCRIPTION	WEIGHT
43264	Single box with mounting bracket	4 LBS.

Mounts to intermediate and/or end frames. Can hold two duplex outlets.



LED TASK LIGHTS

MODEL#	DESCRIPTION	WEIGHT
W5664	Versa-Trak mounted task light	6 LBS.

Optional Task Light features a three-bar design for ultimate reach and flexibility. The ultra-adjustable LED head can spin in its socket, sweep side to side, and rotate around the end of the arm to point in any direction. Dimming is easily controlled by a touchstrip located near the LED head for easy access.

56679	LED light with magnetic base and 18" flexible neck	1 LB.
-------	--	-------

10679	LED light with VESA mount and 18" flexible neck	1 LB.
-------	---	-------

Features a 6-foot cord and allows users to switch between white or red lights.

AXIOM MONITOR MOUNTS: (1.5" DIA. MOUNTING POSTS)

W6471
15" Post - Single Monitor
Post Mount, Vertical



W6472
28-1/2" Post - Dual Monitor
Post Mount, Vertical



W6473
42" Post - Triple Monitor Post
Mount, Vertical



W6491
15" Post - Single Monitor
Articulating Arm



W6492
28-1/2" Post - Single Monitor
Articulating Arm



W6493
28-1/2" Post - Dual Monitor
Two Articulating Arms



W6469
Adjustable Phone Tray
Mounts to Versa-Trak



FREE
DESIGN
SERVICE

PRESTIGE MONITOR MOUNTS: (1.9" DIA. MOUNTING POSTS)

E5081
15" Post - Single Monitor
Post Mount, Vertical



W5772
28-1/2" Post - Dual Monitor
Post Mount, Vertical



W5773
42" Post - Triple Monitor
Post Mount, Vertical



W5777
15" Post with
Dual 15" Extension Arms



W5690
Dual-Post Large Monitor Mount
(Supports 42" - 63" Monitors)



W5774
15" Post with
15" Extension Arm



W5775
28-1/2" Post with
15" Extension Arm



W5776
42" Post with Two
15" Extension Arms

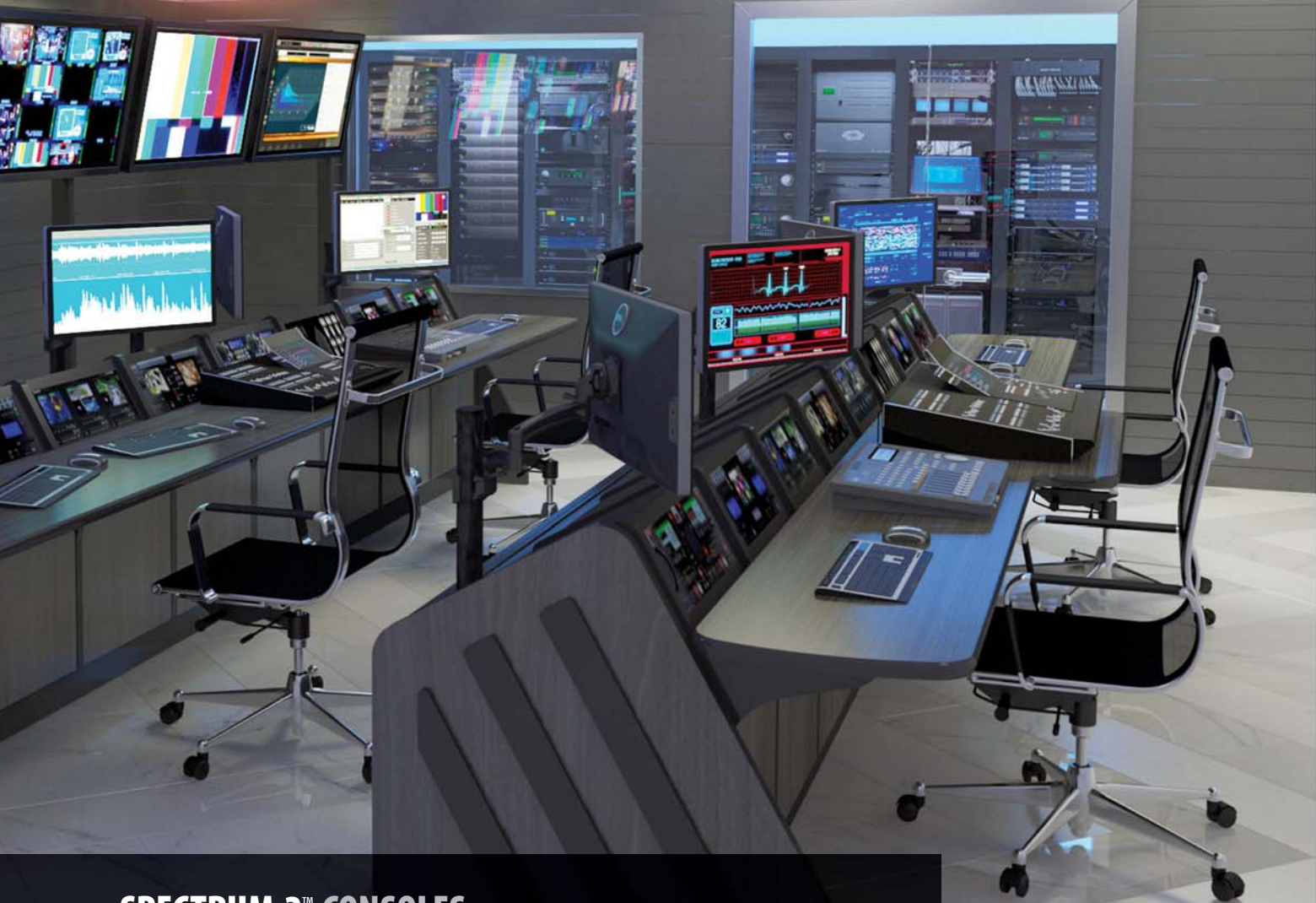


W5778
15" Post with
Height Adjustable Arm



W5698
28-1/2" Post with VESA Mount
(Supports 26" - 45" Displays)





SPECTRUM-2™ CONSOLES

Winsted's Spectrum-2 consoles offer flexible equipment mounting options, ergonomic viewing angles and easy expansion. Whether you're creating a single-bay edit suite for video production or a sophisticated multi-operator control room, Winsted offers the perfect console for your precise needs. Each of our rack mount turrets conform to 19"W EIA standards and provide easy access to rack mounted electronics.

PRODUCT FEATURES AND HIGHLIGHTS

Multiple Work Surface Options

Choose from three work surface options. Our proprietary Endurance Plus, Comfort Edge and laminate with Safeguard options are available for all Spectrum-2 consoles.

Base Units

Adaptable lower equipment units can be configured for 19-1/4" (11RU) of rack space, CPU pull-out tray or adjustable shelf storage. Each features a hinged front access panel and a removable rear access panel.

Turret Units

Upper turret units each accommodate 4U rack-mount equipment. Each is vented and features a removable top access panel.

Front Tapped Rack Rails

Upper and lower front 14-gauge tapped rack rails for equipment installation. Rails are stamped with numbered rack increments for easy equipment installation.

High Pressure Laminate Finish

All structural panels are finished in high-pressure plastic laminates, with hundreds of color options to choose from.

Cable Routing

Thoughtful, well-engineered cable pathways accommodate the need for clean, convenient cable management.

Versa-Trak Mounting System

Integrated horizontal aluminum track system will support a wide variety of monitor mounts. Versa-Trak offers the ultimate in versatility with easy horizontal adjustment. Post-mounted VESA brackets provide vertical adjustability along with the ability to tilt and pivot the monitors.

Optional Adjustable Monitor Mounts

VESA-compliant pivot/tilt articulating monitor mounts easily attach monitors to the Versa-Trak and provide smooth pivot and pitch adjustment for optimal viewing angles and ergonomic sight lines.

Adjustable Leg Levelers

Easily fine-tune the height and levelness of your console with the adjustable leg levelers.

Multiple Corner Options

Standard corner options include 15, 45 and 90 degree concave corners as well as 15 and 45 degree convex corners. Custom corner angles are available as needed to help Spectrum-2 conform to your unique space.

Hinged & Removable Access Panels

Spectrum-2 features full-length removable rear access panels and lower hinged front panels to provide quick, easy access to cables and equipment for simple installation and reduced maintenance time.





M-VIEW™ MONITOR WALLS

Winsted's M-View monitor wall, in-stock or custom built, is flexible in design and completely modular. M-View is fabricated from light-weight, high strength extruded aluminum with a black anodized finish. The monitor wall can support virtually any monitor configuration and can be designed as an in-line, concave or convex mounting solution. The M-View seamlessly integrates technology and space to optimize viewing angles.

PRODUCT FEATURES AND HIGHLIGHTS

Stock and Custom Monitor Walls

Choose an in-stock monitor wall that is preconfigured and ready to ship or let Winsted design a custom monitor wall built to your specific monitor configuration.

Large Flat Panel Mounts

Our heavy-duty large monitor mounts combine a low profile design with integrated security features. The mount features a rapid leveling system, quick connect disconnect installation, fingertip-tilt, and a pullout bottom for convenient cable access. Allows for portrait or landscape flat panel installation.

Standard VESA Mounts

Universal VESA mounts easily attach flat panel monitors to the M-View Monitor Wall and provide smooth pivot and pitch adjustments for different viewing angles and ergonomic needs. The VESA mounts move freely along the M-View framework and are available to support almost any monitor.

1-1/2" x 3" Exterior Frame

The exterior framing is constructed of 1-1/2" x 3" extruded aluminum for superior strength and modularity. Custom frames can be manufactured to any height and length.

Power Strips

Ten, eleven, or twenty outlet power strips are available with on/off switches and circuit breakers. Power strips mount to the rear of the horizontal and/or vertical frame sections.

Black Anodized Finish

All M-View frames feature a black anodized finish that fits seamlessly into any environment. When installed, the M-View frame blends in with attached monitors, creating a pleasing shadow effect. Clear and custom anodized colors are available.

1-1/2" x 1-1/2" Interior Supports

The interior supports are constructed of extruded aluminum for superior strength and modularity. Custom frames can be manufactured to any height and length.

Cable and Wire Management

Multiple raceway channels are available for wire management. Run the cables horizontally or vertically using model M1032 (scored walls). Use model M1030 (solid walls) to run cables vertically to the floor.

Modular and Expandable

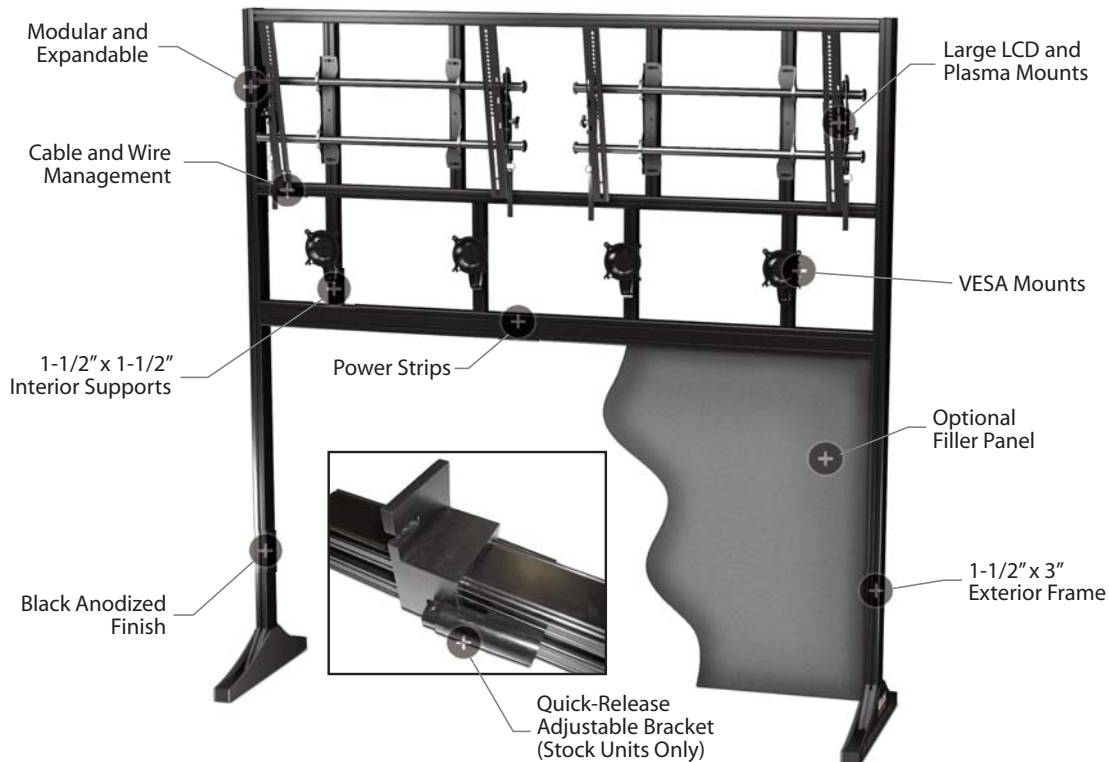
All M-View monitor walls are designed to support your monitor configuration. The M-View can be expanded and reconfigured based on your changing needs.

Optional Filler Panel

Complete your M-View with custom filler panels, available in a variety of colors and materials. Can be cut to provide access to electronics or vertical rack.

Quick-Release Adjustable Bracket

Our quick-release bracket makes adjusting and reconfiguring your monitors fast and easy on our stock monitor walls.





M-VIEW
MONITOR WALLS

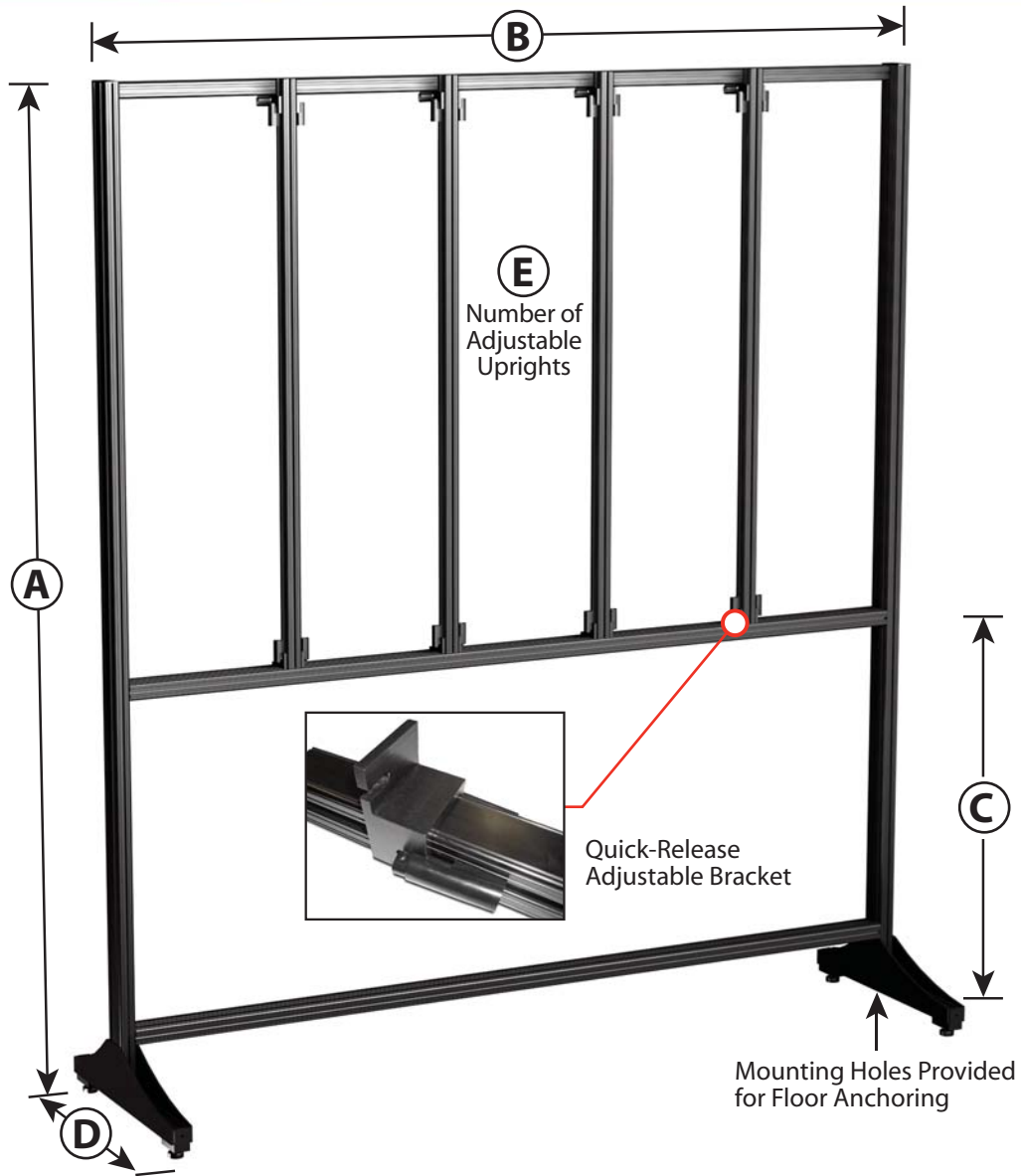
CUSTOM MONITOR WALLS

If you require a custom-built monitor wall to support your specific monitor configuration, or to fit in your unique space, please contact Winsted and we will provide the perfect solution. Each custom M-View is designed and manufactured from the ground up to meet your specifications. The M-View is fabricated from light-weight, high-strength extruded aluminum and will support any size flat-panel monitor.

FEATURES

- Stock and Custom Walls Available
- Light Weight and High Strength
- Easy to Wire and Maintain
- Adapts to Changing Technology
- Prevents Damage to Interior Walls





STOCK FRAMES WITH ADJUSTABLE UPRIGHTS

MODEL#	A	B	C	D	E	COLOR	WEIGHT
M1100	80" (2032mm)	43" (1092mm)	24-1/2" (622mm)	24" (610mm)	2	BLACK	91 LBS.
M1102	80" (2032mm)	53" (1346mm)	24-1/2" (622mm)	24" (610mm)	2	BLACK	93 LBS.
M1104	80" (2032mm)	63" (1600mm)	24-1/2" (622mm)	24" (610mm)	3	BLACK	98 LBS.
M1106	80" (2032mm)	73" (1854mm)	24-1/2" (622mm)	24" (610mm)	4	BLACK	103 LBS.
M1108	80" (2032mm)	83" (2108mm)	24-1/2" (622mm)	24" (610mm)	4	BLACK	105 LBS.
M1121	94" (2388mm)	43" (1092mm)	38-1/2" (978mm)	24" (610mm)	2	BLACK	96 LBS.
M1123	94" (2388mm)	53" (1346mm)	38-1/2" (978mm)	24" (610mm)	2	BLACK	98 LBS.
M1125	94" (2388mm)	63" (1600mm)	38-1/2" (978mm)	24" (610mm)	3	BLACK	103 LBS.
M1127	94" (2388mm)	73" (1854mm)	38-1/2" (978mm)	24" (610mm)	4	BLACK	108 LBS.
M1129	94" (2388mm)	83" (2108mm)	38-1/2" (978mm)	24" (610mm)	4	BLACK	110 LBS.

Stock frames are pre-configured and ready to ship. All stock frames feature our exclusive quick-release adjustable bracket.

VESA MOUNTS

MODEL#	DESCRIPTION	VESA MOUNT	WEIGHT CAPACITY	WEIGHT
51237	LCD Mount 10"-32" Monitor	75 x 75mm 100 x 100mm	40 LBS.	3 LBS.
51239	LCD Mount 26"-45" Monitor	100 x 100mm 100 x 200mm 200 x 200mm	75 LBS.	8 LBS.

VESA monitor mounts allow smooth range of motion and hassle free, fingertip positioning of the monitors. Low profile appearance and sleek, attractive design conceals all hardware.

UNIVERSAL LARGE LCD/PLASMA MOUNT

MODEL#	OVERALL DIMENSIONS	COLOR	WEIGHT
11104	13.2"H x 34.44"W x 1.99"D (335 x 875 x 51 mm)	BLACK	19 LBS.

Heavy-Duty construction provides a secure mounting solution for monitors up to 63" wide and/or 200 pounds.

POWER SUPPLY OUTLETS WITH CIRCUIT BREAKERS

MODEL#	DESCRIPTION	AMP	Outlet Length	WEIGHT
M1020	Ten-outlet	15	34" (864mm)	4 LBS.
M1021	Ten-outlet	15	68" (1727mm)	6 LBS.
M1022	Twenty-outlet	15	68" (1727mm)	7 LBS.
M1023	Eleven-outlet	20	68" (1727mm)	8 LBS.

On/Off switch. Mounts to any vertical or horizontal frame section where power is needed.

PANEL CHANNEL WIRE MANAGEMENT DUCTS

MODEL#	OVERALL DIMENSIONS	COLOR	WEIGHT
M1030	1-1/2"H x 1-1/2"W x 72" L (38 x 38 x 1829mm)	BLACK	2 LBS.
M1032	2"H x 2"W x 78"L (51 x 51 x 1981mm)	BLACK	2 LBS.
M1034	2"H x 4"W x 78"L (51 x 102 x 1981mm)	BLACK	3 LBS.

Black plastic channel with scored sidewalls for easy breakout. Protective channel can be cut to size. Model M1030 has solid walls. Covers included.

ADJUSTABLE CPU HOLDER

MODEL#	DESCRIPTION	COLOR	WEIGHT
60082	Adjustable CPU holder with Velcro® strap	BLACK	5 LBS.

CPU holder mounts to the bottom rail of the M-View and securely holds your CPU. Side brackets adjust independently to accommodate a wide variety of CPU sizes.



M1030



M1032





PRO-SERIES II™ VERTICAL RACKS

All vertical racks are performance designed to deliver the features and functions for any installation. All racks are backed by a lifetime warranty. Vertical Racks are available in multiple styles and sizes to meet your rack mount equipment needs. Flexible delivery choices, thermal management, and a wide range of optional accessories allow you to customize your solution to your exact requirements.

PRODUCT FEATURES AND HIGHLIGHTS

Top Panel Options

Individual racks include a variety of top options: raised vented panels, solid and vented blank panels and internal/external mounted fans. Full or partial top coverage provides flexible ceiling cabling options.

Welded Frames

Racks utilize extra-heavy-duty welded construction delivering robust solutions in the most demanding environments.

Lacing Bars

A variety of vertical and horizontal lacing bars are available for each rack style, including a 71" solid copper bus bar.

Adjustable Tapped Rack Rails

Adjustable front and rear 14-gauge tapped rack rails for equipment installation. Rails are stamped with numbered rack increments.

NEMA Conduit Knock-outs

Pro Series II rack frames include NEMA - approved knock-outs which provide excellent wire management with multiple conduit sizes.

Pedestal Wire Access Holes

Rack frame includes two 4" x 10" openings in the pedestal for air intake and cable management.

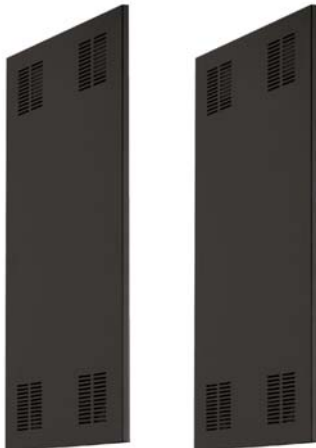
Powder-Coat Finish

The heavy-duty steel infrastructure of each rack is coated with a durable black powder-coat paint. Textured paint provides a beautiful finish in all environments.

Vented Side Panels

Removable half-height side panels are standard. Convection-cooling side panel venting can be covered when vertical thermal management fans are used.





PRO SERIES II WELDED VERTICAL RACKS

24"D (610mm) RACK CABINET

MODEL#	RACK HEIGHT	OVERALL HEIGHT	WEIGHT
90012	35" (20U)	42" (1067mm)	66 LBS.
90016	70" (40U)	77" (1956mm)	107 LBS.
90018	78-3/4" (45U)	85" (2159mm)	116 LBS.

21-3/4" D from front rack rail to rear rack rail.

32"D (813mm) RACK CABINET

90022	35" (20U)	42" (1067mm)	75 LBS.
90026	70" (40U)	77" (1956mm)	130 LBS.
90028	78-3/4" (45U)	85" (2159mm)	129 LBS.

29-3/4" D from front rack rail to rear rack rail.

38-3/8"D (975mm) RACK CABINET

90032	35" (20U)	42" (1067mm)	104 LBS.
90036	70" (40U)	77" (1956mm)	139 LBS.
90038	78-3/4" (45U)	85" (2159mm)	149 LBS.

36" D from front rack rail to rear rack rail.

DVR RACK - BLACK

MODEL#	DESCRIPTION	WEIGHT
V9019	78-3/4"H (45U) x 38-3/8"D vertical rack with vented side panels, locking rear solid door, vented top panel & 5-1/4"H (3U) 300 CFM rack mount filtered fan.	302 LBS.

Whether you are populating a single vertical rack with DVRs or have an entire room to fill, the Pro Series II DVR Rack is perfect for this application. Order one model number for a complete single rack.

V9021	78-3/4"H (45U) x 38-3/8"D vertical rack with locking rear solid door, vented top panel & 5-1/4"H (3U) 300 CFM rack mount filtered fan.	204 LBS.
-------	--	----------

Filling a room? Order multiple racks frames without side panels to create in-line bays.

VENTED SIDE PANELS - BLACK (PAIRS)

24"D (610mm) RACK CABINET

MODEL#	RACK HEIGHT (UNITS)	WEIGHT
90112	35" (889mm) (20U)	33 LBS.
90116	70" (1778mm) (40U)	60 LBS.
90118	78-3/4" (2000mm) (45U)	62 LBS.

32"D (813mm) RACK CABINET

90122	35" (889mm) (20U)	42 LBS.
90126	70" (1778mm) (40U)	74 LBS.
90129	78-3/4" (2000mm) (45U)	83 LBS.

38-3/8"D (975mm) RACK CABINET

90132	35" (889mm) (20U)	50 LBS.
90136	70" (1778mm) (40U)	88 LBS.
90138	78-3/4" (2000mm) (45U)	99 LBS.

Side panels provide ample venting for convection cooling.

VENTED TOP PANELS - BLACK

MODEL#	RACK CABINET DEPTH	WEIGHT
90051	24" (610mm)	8 LBS.
90053	32" (813mm)	11 LBS.
90055	38-3/8" (975mm)	13 LBS.

Includes bracket for Model 10705 exhaust fan. (Fan sold separately - Page 67)

SOLID BLANK TOP PANELS - BLACK (19" W)

MODEL#	RACK SIZE	PANEL SIZE	WEIGHT
99145	24"D	19"W (483) x 10-1/2"H (6U)	4 LBS.
99149	32"D	19"W (483) x 19-1/4"H (11U)	8 LBS.
99152	38-3/8"D	19"W (483) x 24-1/2"H (14U)	11 LBS.

Solid top panels easily mount in the standard 19" vertical rack top.

VENTED BLANK TOP PANELS - BLACK (19" W)

MODEL#	RACK SIZE	PANEL SIZE	WEIGHT
86142 (2)	24"D	19"W (483) x 5-1/4"H (3U)	2 LBS.
86149	32"D	19"W (483) x 19-1/4"H (11U)	4 LBS.
86142 (1)	38-3/8"D	19"W (483) x 5-1/4"H (3U)	1 LB.
86149 (1)	38-3/8"D	19"W (483) x 19-1/4"H (11U)	4 LBS.

Vented beehive panels reduce heat build-up.

TAPPED OUTER RACK RAIL - PAIRS

MODEL#	RACK CABINET DEPTH	WEIGHT
90262	35" (20U)	4 LBS.
90266	70" (40U)	8 LBS.
90269	78-3/4" (45U)	9 LBS.

Right and left rails sold as pairs. 12-Gauge steel with numbered rack units and black zinc plating. Order 10-32 mounting screws separately. Model 10800 (Silver) or 10814 (Black). 50 each per pack.

SCREWS AND WASHERS

MODEL#	DESCRIPTION	WEIGHT
10800	10-32 x 3/4" Silver Pilot screws and washers. 50 each.	0.5 LB.
10814	10-32 x 3/4" Black Pilot screws and washers. 50 each.	0.5 LB.

Pilot screws make it easy to install your electronics.

2-1/2" (64MM) PLATE CASTERS - SET OF FOUR

MODEL#	DESCRIPTION	WEIGHT
85782	For 24"D, 32"D & 38-3/8"D rack cabinets (mount to pedestal only)	4 LBS.

Heavy duty casters allow you to move your vertical rack with ease.

LEG LEVELERS & GUSSETS — SET OF FOUR

MODEL#	HEIGHT	WEIGHT
90270	For 24"D, 32"D & 38-3/8"D rack cabinets	1 LB.

Mounts to rack bottom or pedestals.

STANDARD BLACK PEDESTAL - 22-1/8"W

MODEL#	DIMENSIONS	WEIGHT
90072	24"D x 2-1/2"H (610 x 64mm)	15 LBS.
90076	32"D x 2-1/2"H (813 x 64mm)	16 LBS.
90078	38-3/8"D x 2-1/2"H (975 x 64mm)	18 LBS.

Pedestals provide conduit knock-outs and removable side sections for horizontal cable management.

10" COOLING FAN - BLACK



MODEL#	FAN MEASURES	CFM	WEIGHT
G9085	3-1/2"H x 10"W (89 x 254mm)	550	9 LBS.

Comes complete with 5 foot cord, two finger guards and a 10-1/2" (6U) blank panel for mounting in the Pro Series II vertical rack top.

PRO SERIES II LOCKING DOORS

Rack Frame Size	35" (20U) Mounts to the front/rear frame of Models 90012, 90022, 90032	70" (40U) Mounts to the front/rear frame of Models 90016, 90026, 90036	78-3/8" (45U) Mounts to the front/rear frame of Models 90018, 90028, 90038			
DESCRIPTION	MODEL#	WEIGHT	MODEL#	WEIGHT	MODEL#	WEIGHT
PLEXIGLASS	90332 Front Only	18 LBS.	90336 Front Only	31 LBS.	90338 Front Only	37 LBS.
VENTED SOLID	90322 Front Only	16 LBS.	90326 Front Only	31 LBS.	90328 Front Only	34 LBS.
SOLID	90312 Rear Only	12 LBS.	90316 Rear Only	24 LBS.	90318 Rear Only	26 LBS.

All doors can be installed to open from left or right. Black texture powder coat finish.

VERTICAL RACK LACING OPTIONS - BLACK

	MODEL#	DESCRIPTION	WEIGHT
	1	88217 71-3/4" Lacing strip, supplies multiple binding locations. Fits models 90018, 90028, 90038	2 LBS.
	2	88218 Eight 14" long Velcro straps, mounted on a pre-drilled 72"H x 3/4"W x 1/8" Thick metal strap	2 LBS.
	3	88226 71" Copper bus bar. 1/4" thick x 1"W strap. Fits models 90018, 90028 and 90038. (Not Shown)	6 LBS.

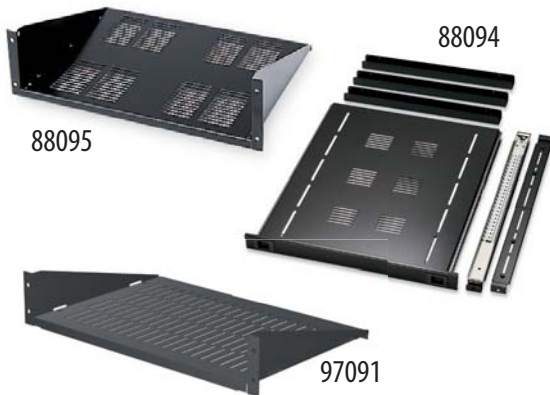
Enhance reliability while protecting and managing your cables.

HORIZONTAL RACK LACING OPTIONS - BLACK

	MODEL#	DESCRIPTION	WEIGHT
	4	10220 1-3/4" Slotted lacing rack mount panel with horizontal slots	1 LB.
	5	85276 Aluminum round bar rack mount cable guide extends cable life	0.5 LB.

All horizontal lacing options mount in any standard 19" opening.

UNIVERSAL RACK MOUNT SHELVES - BLACK



MODEL#	DESCRIPTION	WEIGHT
88091	3-1/2" (2U) Stationary shelf. 2-7/8"H x 18"D (73 x 457mm)	8 LBS.
88093	5-1/4" (3U) Stationary shelf. 4-5/8"H x 18"D (117 x 457mm)	9 LBS.
88095	8-3/4" (5U) Stationary shelf. 8-1/8"H x 18"D (206 x 457mm)	10 LBS.
88096	10-1/2" (6U) Stationary shelf. 9-7/8"H x 18"D (251 x 457mm)	11 LBS.
97091	3-1/2" (2U) Stationary shelf. 2-7/8"H x 12"D (73 x 305mm) Includes Strap Model 12765 for securing electronics	6 LBS.
88094	20" (508mm) Extension pullout shelf. Locks in closed position. Uses 1-3/4" (1U) rack space	17 LBS.

Fits into any 19" EIA (482mm) rack. Heavy 14 gauge sides, 16 gauge bottom, and 12" or 18" deep vented bottom for cooling and strapping down electronics.

UNIVERSAL SHELF SUPPORT BRACKETS - BLACK

MODEL#	SIZE	WEIGHT
88220	Brackets support up to a 24"D work surface	9 LBS.

Fastens to front and rear rack rails of any standard 19" EIA cabinet ranging from 22" to 36" D (559 to 914mm).

PRO SERIES I & II TRUFORM WORK SURFACES - 18"D

MODEL#	DESCRIPTION	WIDTH	WEIGHT
90661	Single-Bay	22-1/8"	29 LBS.
90662	Two-Bay	44-1/4"	62 LBS.
90663	Three-Bay	66-3/8"	75 LBS.
90664	Four-Bay	88-1/2"	96 LBS.

18"D (457mm) work surface with a 1-3/4" (44mm) beveled front edge. Black TruForm finish.

MULTI-PURPOSE UTILITY DRAWER - BLACK

MODEL#	DESCRIPTION	WEIGHT
88323	3-1/2"H (2U) Utility Drawer	15 LBS.

Can be rack mounted or mounted to the underside of any wood work surface. 3-3/8" (86mm) inside height.

SQUARE HOLE RACK RAILS - BLACK

MODEL#	HEIGHT	WEIGHT
90267	70"	3 LBS.
90271	78-3/4"	3 LBS.
G8060	Square Tinnerman Nut 25 Each	1 LB.

Designed to mount in Pro Series II vertical racks.

UTILITY DRAWERS WITH LOCK - BLACK



MODEL#	SIZE	WEIGHT
88321	8-3/4" (5U) rack mountable pullout utility drawer	18 LBS.
88324	12-1/4" (7U) rack mountable letter/legal size pullout file drawer	23 LBS.

All drawers feature heavy duty ball bearing slides for years of reliability.

RACK MOUNTABLE COOLING FANS - PEARL GREY



MODEL#	DESCRIPTION	WEIGHT
G8591	Single cooling fan. Uses 5-1/4"(3U) of rack space.	3 LBS.
Comes complete with 5-1/4" rack mount vented panel, one 105 CFM cooling fan, five foot electrical cord with plug, metal grill grate for finger protection and two 6" square magnetic vent covers.		
G8592	Dual cooling fans.	4 LBS.
Same as above, except two 105 CFM fans and one 6" square magnetic vent cover.		
G8593	Triple cooling fans.	5 LBS.
Same as above, except three 105 CFM fans.		
G8597	Single cooling fan. Same as above, except one 55 CFM fan. Includes two magnetic vent covers.	3 LBS.
G8598	Dual cooling fans. Same as above, except two 55 CFM fans. Includes one magnetic vent cover.	4 LBS.
G8599	Triple cooling fans. Same as above, except three 55 CFM fans.	5 LBS.

RACK MOUNTABLE CABINET FANS - PEARL GREY



MODEL#	FANS	DECIBELS	CFM	WEIGHT
G8584	3	55	315	13 LBS.
G8585	6	64	630	16 LBS.
G8586	9	73	945	20 LBS.

Each fan is rated at 105 CFM. Cabinet assembly comes standard with a pre-wired five foot power cord. Textured Pearl Grey finish. Uses 1-3/4" (1U) rack space. Mounts to any 19"W EIA rack. 220 Volt available, contact Winsted.

RACK MOUNT POWER PANELS - BLACK



MODEL#	DESCRIPTION	AMP	CORD LENGTH	WEIGHT
98703	Six-Outlet	15	15'(4.5M)	4 LBS.
Six-outlet - 2 front, 4 back. 15 amp circuit breaker with on/off switch.				
98708	Eight-Outlet	15	15'(4.5M)	4 LBS.
Eight-outlet. Outlets rotated 90° to accept multiple transformer plugs.				
98709	Eight-Outlet	15	15'(4.5M)	4 LBS.
98714	Twelve-Outlet	15	15'(4.5M)	6 LBS.
Rack mount power panels with surge suppressor.				

MAGNETIC VENT COVER



MODEL#	DESCRIPTION	WEIGHT
10740	6" x 6" (152 x 152mm)	.5 LBS.
Magnetic panel to cover side panel or door vents. Use when positive air flow is needed from bottom to top in cabinet.		

RACK MOUNT TWIN BLOWER - DUAL FANS

MODEL#	FANS	DECIBELS	CFM	WEIGHT
10716	2	58.5	300	15 LBS.
Stainless steel grill with a washable filter and a three foot 3-wire cord. Uses 5-1/4" (3U) rack space. Note: Do not mount behind door.				

COOLING FAN - WITH 5' CORD & PLUG

MODEL#	VOLTS	DECIBELS	CFM	WEIGHT
10705	115	43	105	2 LBS.
10724	220	43	105	2 LBS.
10725	115	30	55	2 LBS.
Easily mounts to vented side panels or vented top panels.				

FAN FILTER ASSEMBLY

MODEL#	TYPE	WEIGHT
10720	Filter with finger guard	.5 LB.
Washable filter covers cooling fans and cleans particles from air before entering cabinet. Black plastic guard.		

THERMOSTAT CONTROL

MODEL#	TYPE	WEIGHT
10670	DMS 1141	1 LB.
For inline applications. Set between 32°-140°F (0°-60°C) and the fan(s) will run until the set temperature is reached. Mounts using the supplied DIN rail.		

FREE DESIGN SERVICE

19" WIDE EIA BLANK PANELS



Pearl Grey

Black

MODEL# PEARL GREY	MODEL# BLACK	HEIGHT	RACK UNIT	WEIGHT
85140	99140	1-3/4" (44mm)	(1U)	1 LB.
85141	99141	3-1/2" (89mm)	(2U)	1 LB.
85142	99142	5-1/4" (133mm)	(3U)	2 LBS.
85143	99143	7" (178mm)	(4U)	3 LBS.
85144	99144	8-3/4" (222mm)	(5U)	3 LBS.
85145	99145	10-1/2" (267mm)	(6U)	4 LBS.
85146	99146	12-1/4" (311mm)	(7U)	4 LBS.
85147	99147	14" (356mm)	(8U)	6 LBS.
85148	99148	15-3/4" (400mm)	(9U)	7 LBS.
85149	99149	19-1/4" (489mm)	(11U)	8 LBS.
85152	99152	24-1/2" (622mm)	(14U)	10 LBS.

Our 16 gauge steel blank panels are flanged for extra strength. They are finished attractively in textured powder coat paint. All sizes are available in Pearl Grey or Black. Just choose the appropriate size blank panel to provide the perfect finishing touch for all of your installations.

PANEL PILOT SCREWS WITH WASHER & CAPTIVE NUTS



G8054

G8056

MODEL#	QUANTITY	COLOR	WEIGHT
G8051	50 each per pack	Silver	.5 LB.
G8054	50 each per pack	Black	.75 LB.
G8101	100 each per pack	Silver	1 LB.
G8104	100 each per pack	Black	1.5 LBS.
G8056 Security Screws	50 each per pack Includes Torx® bit	Black	1 LB.

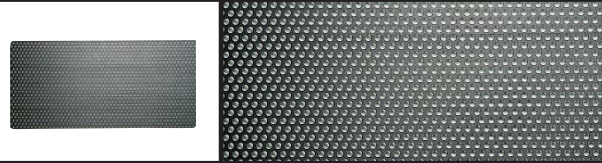
Pilot screws make it easy to install your electronics.

BLANK PANEL FILLER KITS

KIT #1			KIT #2			KIT #3		
MODEL#	QTY.	WT.	MODEL#	QTY.	WT.	MODEL#	QTY.	WT.
G9101	4ea. (1U) 2ea. (2U) 1ea. (3U)	9 LBS.	G9102	4ea. (1U) 2ea. (2U) 1ea. (9U)	14 LBS.	G9103	4ea. (1U) 2ea. (2U) 1ea. (11U)	16 LBS.

All blank panel kits include mounting hardware (50 bolts and clips).

19"W BEEHIVE VENTED BLANK PANELS - BLACK



MODEL#	HEIGHT	RACK UNIT	WEIGHT
86140	1-3/4" (44mm)	(1U)	.5 LB.
86141	3-1/2" (89mm)	(2U)	.75 LB.
86142	5-1/4" (133mm)	(3U)	1 LB.
86143	7" (178mm)	(4U)	1.5 LBS.
86144	8-3/4" (222mm)	(5U)	2 LBS.
86149	19-1/4" (489mm)	(11U)	4 LBS.
86151	21" (533mm)	(12U)	4 LBS.

Our vented blank panels are available in a variety of sizes and are made from black anodized aluminum. They are flanged for durability and the honeycomb construction provides added ventilation for a variety of rack systems.

BLACK RACK RAIL TRIM

MODEL#	DIMENSIONS	WEIGHT
85744	Sold in 1 ft. increments	.5 LB.

Made of flexible PVC with internal metal clips to provide a permanent grip. Trim has a fine pebble finish to dress up your installation. Use to cover unused rack rail holes. Trim can be cut to size with a scissors.

LCD MONITOR RACK KIT - BLACK



F8153

MODEL#	DIMENSIONS	WEIGHT
F8153	19-1/16"W x 5-1/4"H (484 x 133mm)	5 LBS.

Flat Screen Mounting Kit that allows larger LCDs to be mounted in front of the rack face. Black Finish.

STATIC FLAT SCREEN MOUNTING BRACKET - BLACK



92186

MODEL#	DESCRIPTION	WEIGHT
92186	Up to 19" (483mm) Flat Screen with VESA mount. Maximum LCD width 17-3/8" (441mm) 5-1/4"H (3U)	4 LBS.

Detachable mounting bracket makes installation quick and easy.

RACK MOUNT KEYBOARD SHELF - BLACK

88397



MODEL#	DESCRIPTION	WEIGHT
88397	Holds keyboards up to 16-1/2"W (419mm)	14 LBS.
88398	Holds keyboards up to 21"W (533mm) Swivels 90° to fit in a rack	18 LBS.

Conveniently stores your keyboard inside the vertical rack.

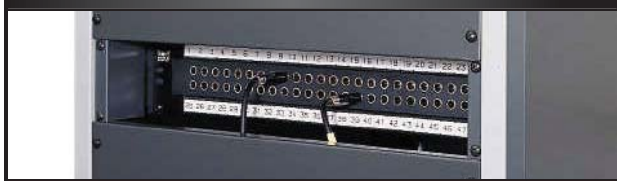
EXTRA DEEP VENTED STATIONARY SHELF - BLACK



MODEL#	DESCRIPTION	WEIGHT
88090	Rear supports adjust 22" to 37-3/4"D (559 x 956mm) to fit a wide variety of rack cabinets	11 LBS.

Inside tray dimensions: 17-3/8"W x 21-3/4"D (441 x 552mm). Requires just 3-1/2" (2U) of rack space. Overall dimensions: 3-1/2"H x 19"W x 21-3/4"D (89 x 483 x 552mm).

RECESSED PATCH PANEL BRACKET - PAIR



MODEL#	SIZE	COLOR	WEIGHT
86227	3-1/2"H (2U) - pair	PEARL GREY	2 LBS.

Recess a patch panel back into the rack 4" (102mm) to create extra space for the cable connectors. Pearl Grey.

PLASTIC WIRE DUCT



MODEL#	SIZE	COLOR	WEIGHT
42750	4"H x 2"W x 72"L (102 x 51 x 1829mm)	Black	2 LBS.
42752	2"H x 4"W x 78"L (51 x 102 x 1981mm)	Black	3 LBS.
42755	4"H x 4"W x 72"L (102 x 102 x 1829mm)	Black	4 LBS.
42757	2"H x 2"W x 78"L (51 x 51 x 1981mm)	Black	2 LBS.

Wire ducts are slotted and come complete with cover except 42750.

42756	1-1/2"H x 1-1/2"W x 72"L (38 x 38 x 1829mm)	Black	2 LBS.
-------	---	-------	--------

42756 has solid walls and comes complete with cover.

LAMINATED TABLE TOP RACKS - BLACK



MODEL#	DESCRIPTION	WEIGHT
99484	7"H (4U) Table Top Rack 8-1/4"H x 20-3/8"W x 18"D (210 x 518 x 457mm)	19 LBS.
99488	14"H (8U) Table Top Rack 15-1/4"H x 20-3/8"W x 18"D (387 x 518 x 457mm)	23 LBS.

Comes complete with laminated top, bottom, a pair of side panels and tapped zinc plated rack rails. Black finish.

METAL TABLE TOP RACKS - BLACK



MODEL#	DESCRIPTION	WEIGHT
V4211	21"H (12U) Table Top Rack 23-5/8"H x 21-9/16"W x 18-3/4"D (600 x 548 x 476mm)	36 LBS.
V4221	28"H (16U) Table Top Rack 30-5/8"H x 21-9/16"W x 18-3/4"D (778 x 548 x 476mm)	41 LBS.

Standard EIA 19"W cabinets. Two sides, top and bottom. Winsted's "High-Tech" table top rack design fits perfectly in the security market. Steel construction protected by a Black enamel finish. Vented sides to cool your electronics.

POWER SUPPLY OUTLETS



MODEL#	DESCRIPTION	AMP	CORD LENGTH	WEIGHT
10710	34" - Ten-outlet	15	72" (1829mm)	4 LBS.
10712	69" - Ten-outlet	15	72" (1829mm)	6 LBS.
10713	68" - Twenty-outlet	15	180" (4572mm)	7 LBS.
10684	70" - Eleven-outlet	20	72" (1829mm)	8 LBS.

Lighted On/Off switch. Mounts to the back of any base/slope rack combination, M-View or vertical rack. Also mounts horizontally in all consoles.



PROFESSIONAL GRADE

Winsted Custom Wood offers the highest quality architectural woodwork and commercial cabinetry for all installations. We can custom manufacture to your specifications or you can work with our expert designers to create a one-of-a-kind environment. Your timeline and budget are a priority and we work hard to achieve both.

CUSTOM WOOD FURNITURE

We specialize in consoles but we offer so much more! In 2011 Winsted launched a new Custom Wood Division to design and manufacture wood products for today's demanding control room environments. In forming the new division we added a state-of-the-art production facility as well as many skilled craftsmen with years of woodworking experience.

Moving beyond the control room, we also provide custom technical furniture solutions for other technology-heavy spaces. Our 50-plus years of control room experience puts us in a unique position to manage the technical complexities and the human factors necessary to create a world class environment. We can compliment your control room with the following:

- Reception Desks
- Lobby Consoles
- Conference Room Tables
- Operator Pods
- File Cabinets
- Custom Cabinetry
- Wood Consoles
- Credenzas
- Collaboration Tables
- Technology Tables
- Podiums
- Bookcases
- Workstations
- Work Surfaces
- Casework
- Accessories





CONFERENCE TABLES

Whether you require standard sizes and shapes, or need a custom table like the one shown above, Winsted's custom wood division builds conference tables to your exact specifications. Drop-in data ports, channel raceways, custom colors, recessed monitors and proper leg space are all considered when building your meeting room tables. Call today with your requirements for a free written quotation and color rendering.

PRODUCT FEATURES AND HIGHLIGHTS

Tops

High pressure laminate comes standard but you can select from a variety of veneer or solid surface options as well. All tops are available in a variety of sizes and shapes.

Custom Shapes and Sizes

U-shaped, V-shaped, round, or whatever else you can imagine, we can help design and build exactly what you need.

Cable Management with Access Holes

Large cable troughs and access holes are provided so hard wired systems are organized. We can also accommodate special requirements.

Leg Levelers

Most floors are at least somewhat out of level, our tables come with leg levelers to account for this.

Edge Detail

Black Safeguard Edge comes standard, but you can also select a 3mm PVC in a variety of colors, or we can do a hardwood edge with a variety of profiles.

Access Panels and Heavy-Duty Uprights

Sturdy upright legs feature large access panels to route cables and wires into raised floors or into floor-mounted data/power ports.

Data/Power Ports and Cutouts

We can provide the proper cutouts for your ports. We have several data port options available or you can provide your own and we will make the appropriate cutouts.

STANDARD TOP AND BASE DETAILS



EDGE OPTIONS



Safeguard Edge
Heavy duty, rubber T-edge available in black only.



3mm PVC
A durable 3mm thick PVC edge, available in a variety of solid colors and wood grains.



Wood Bull-nose
1-1/2"H x 3/4"W hardwood edge with top and bottom radius. Laminate or veneer top surface.



Wood Reverse Bevel
1-3/4"H x 3"W hardwood edge with a 30 degree back bevel. Laminate or veneer top surface.



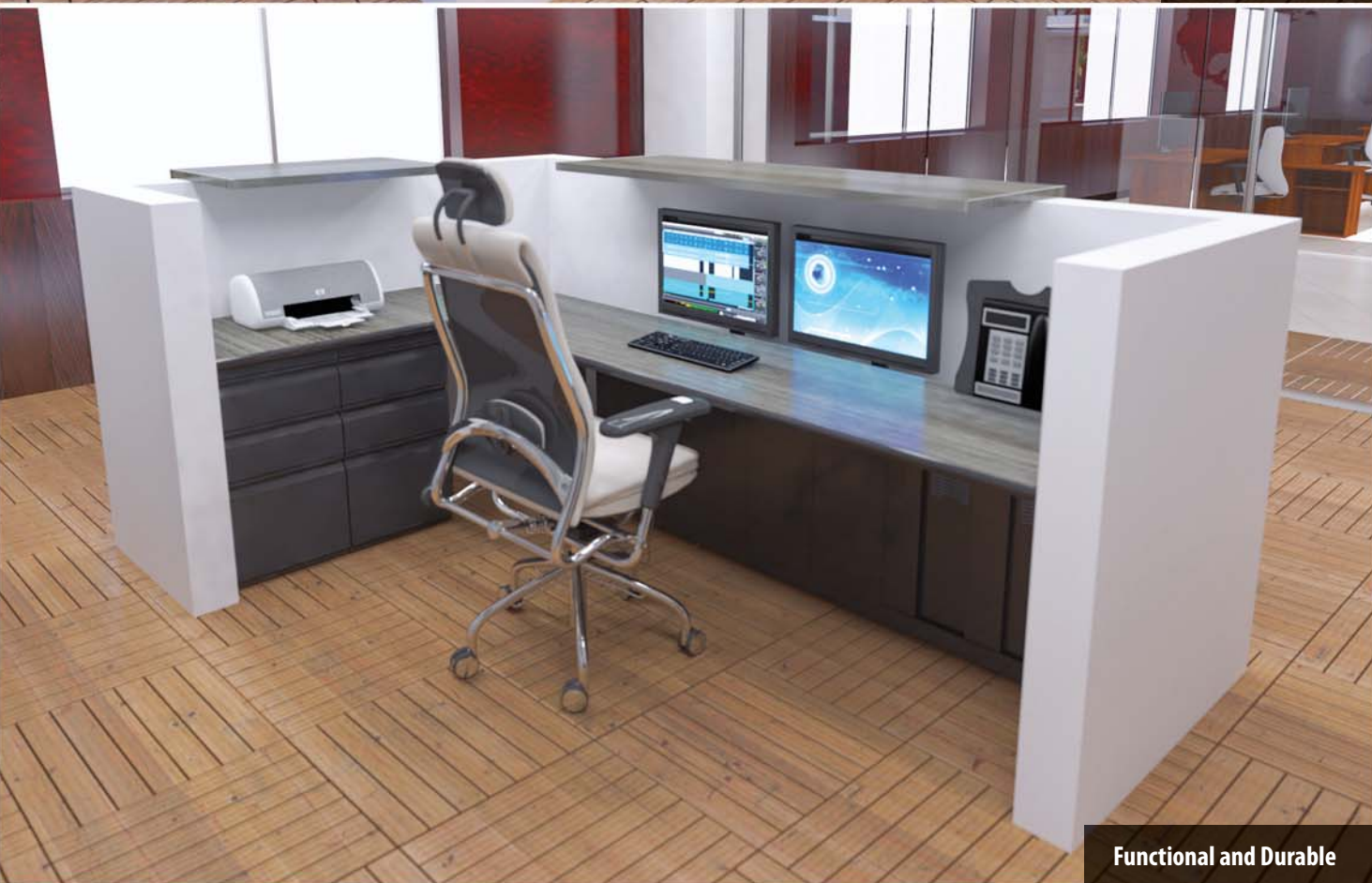
RECEPTION & LOBBY DESKS

Reception and Lobby desks are almost synonyms in meaning, but they can serve different purposes. We feel reception desks need a welcoming characteristic along with plenty of room for daily paper and computer work along with offering your customers a first impression of your companies quality. On the other hand, lobby desks function in a similar way, but we can incorporate specific horizontal tracks for your security and VESA mount electronics. Our reception desks are custom built to your specifications. Work with our designers to create a beautiful and comfortable solution for your reception area.





First Impression



Functional and Durable



CRENZAS & CABINETRY

From break rooms to board rooms, Winsted has you covered. We offer the highest quality cabinets and credenzas suitable for all installations. Base cabinets are constructed of plastic laminate or wood veneer. Counter tops are available in plastic laminate or solid surface. We can custom manufacture to your plans and specifications, or you can work with our designers to create exactly what you need. Your timeline and budget are a priority and we work hard to meet both.



STANDARD COMPONENTS & OPTIONS

Order your own custom credenza or cabinet layout using our standard components. Cabinet interiors are black or white melamine. You can choose from a wide variety of high pressure laminates for the exterior colors. Counter tops are made to order, available in high pressure laminate or solid surface (ie. Corian®). Soft close doors and drawers are available upon request.

CREDENZA COMPONENTS

Standard credenzas are 30-3/4" high by 20" deep, or we can manufacture custom sizes to fit your requirements.



FILE/FILE



BOX/BOX/FILE



TWO-DOOR BASE WITH SHELVES



SLIDING DOORS WITH ADJUSTABLE SHELF

CABINET COMPONENTS

Standard base cabinets are 36" high by 24" deep. Standard wall cabinets are 12" deep.



BASE CABINET WITH ADJUSTABLE SHELF
(Drawer Optional)



4-DRAWER STACK



WALL CABINET WITH TWO ADJUSTABLE SHELVES



WALL CABINET WITH MICRO. CUBBIE

EXTRAS/OPTIONS

ROLL-OUT SHELF

Any adjustable shelf can be replaced with a full extension roll-out.

UNDER CABINET LIGHTING

LED strip or puck lighting is available (will require installation).

VENTILATION EXHAUST FANS

Exhaust fans can be installed to keep your computer equipment cool.

LOCKS

Cabinet locks can be keyed alike or differently. Master keys available.



BOAT-SHAPED CONFERENCE TABLE

MODEL#	DIMENSIONS
M4564	30"H x 48"W x 96"L (762 x 1219 x 2438mm)

More sizes available. Top available in racetrack or rectangle as well. Safeguard edge standard, other edge options available.



LARGE BOAT-SHAPED CONFERENCE TABLES

MODEL#	DIMENSIONS
M4567	30"H x 48"W x 144"L (762 x 1219 x 3658mm)

More sizes available. Top available in racetrack or rectangle as well. Safeguard edge standard, other edge options available.



COLLABORATION TABLE

MODEL#	DIMENSIONS
M1156	TABLE: 41"H x 48"W x 72"L (1041 x 1219 x 1829mm) WALL: 72"H x 54"W x 5"D (1829 x 1372 x 127mm)

The M1156 collaboration table features a durable, high-pressure laminate top with our proprietary Safeguard Edge. Choose from hundreds of standard laminate colors for the table top and monitor wall. The table base incorporates a wire management trough and hinged doors for easy access. Optional data/power ports available.



ARCHED MEDIA TABLE

MODEL#	DIMENSIONS
M4572	28-1/2"H x 154-1/2"W x 46-1/2"D (724 x 3924 x 1181mm)

A one-sided conference/media table with seating for six. Integrated wire management and hidden work surface supports. Larger versions available.

TWO-DRAWER FILE CABINET

MODEL#	DESCRIPTION
15500	Letter Sized File Cabinet. Custom Colors Available.

Overall Dimensions: 31"H x 18-1/4"W x 20"D (787 x 464 x 508mm).

15500



BOOKCASE

MODEL#	DESCRIPTION
15580	36" Wide Bookshelf. Custom Colors and Sizes Available.

Overall Dimensions: 48"H x 36"W x 13"D (1219 x 914 x 330mm).

15580



SINGLE-FILE CREDENZA WITH STORAGE

MODEL#	DESCRIPTION	TOP SURFACE
M1502	Single-File Credenza with Storage	Laminate
M1503	Single-File Credenza with Storage	Endurance Plus
M1504	Single-File Credenza with Storage	Comfort Edge
M1505	Single-File Credenza with Storage	Corian

Overall Dimensions: 30-3/4"H x 72"W x 20"D (781 x 1829 x 508mm).

M1504



BOOKSHELF CREDENZA WITH STORAGE

MODEL#	DESCRIPTION	TOP SURFACE
M1512	Bookshelf Credenza with Storage	Laminate
M1513	Bookshelf Credenza with Storage	Endurance Plus
M1514	Bookshelf Credenza with Storage	Comfort Edge
M1515	Bookshelf Credenza with Storage	Corian

Overall Dimensions: 30-3/4"H x 72"W x 20"D (781 x 1829 x 508mm).

M1513



DUAL-FILE CREDENZA WITH STORAGE

MODEL#	DESCRIPTION	TOP SURFACE
M1522	Dual-File Credenza with Storage	Laminate
M1523	Dual-File Credenza with Storage	Endurance Plus
M1524	Dual-File Credenza with Storage	Comfort Edge
M1525	Dual-File Credenza with Storage	Corian

Overall Dimensions: 30-3/4"H x 72"W x 20"D (781 x 1829 x 508mm).

M1525





FROM CONCEPT > TO REALITY

Winsted Custom Division starts with your criteria, and we develop a solution that exactly fits your needs instead of trying to meet your requirements with pre-configured modules. Your solution is designed for YOUR application to exactly match your requirements, space and functionality. We combine the disciplines of industrial design, human factors and interior design to create workspaces that are both efficient and beautiful. We carefully consider the ergonomic requirements of your

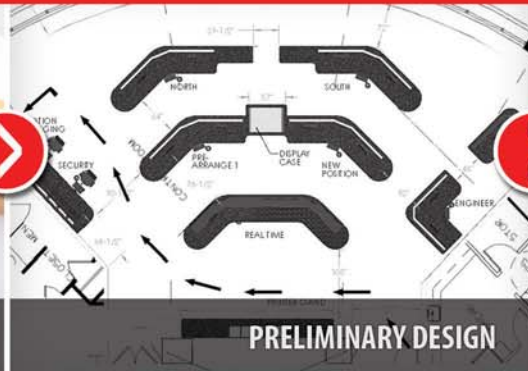
operators to design consoles and technical furniture that facilitate the complex interactions between personnel, technology and the environment. We work with you to develop custom console solutions for every possible control room application, regardless of the scale or complexity.

THE MOST DEMANDING INSTALLATIONS

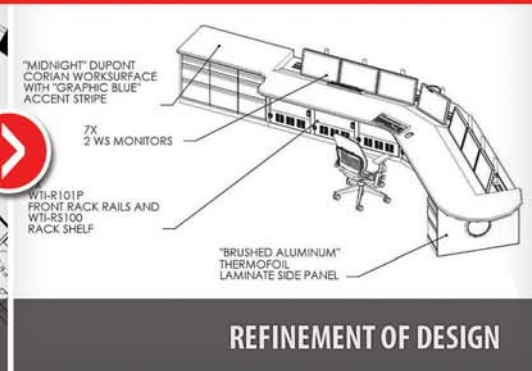
Winsted's custom consoles are installed in nuclear power plants, military command centers, security control rooms and mission critical communication centers around the world. From the layout of the room, to determining the precise placement of every keyboard, monitor and telephone, not a single detail is left to chance. Below is an outline of the comprehensive process we go through to make sure the final installation exceeds your highest expectations.



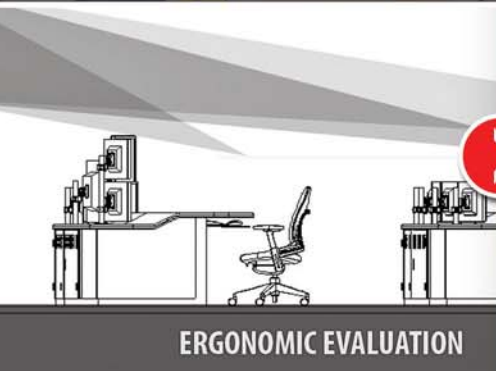
CONSULTATION



PRELIMINARY DESIGN



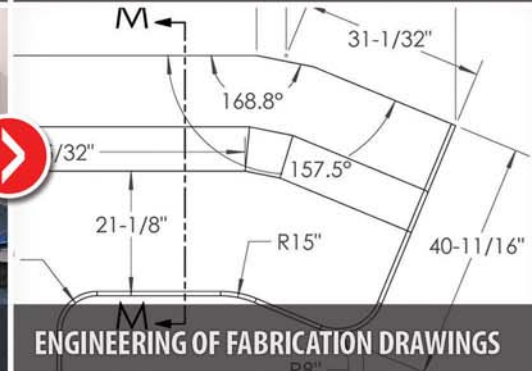
REFINEMENT OF DESIGN



ERGONOMIC EVALUATION



FULL COLOR RENDERING



ENGINEERING OF FABRICATION DRAWINGS



FABRICATION



DRY FIT AND INSPECTION



FINAL INSTALLATION

BUILT BY HAND > BUILT TO LAST



Raw steel is cut to size



Frames are welded together



Quality assurance checks throughout process



Welded and ground Frame ready for powder coat



Assembly of powder coated parts and other components



CNC Corian fabrication



Complete dryfit in shop before shipping



Final buffing and finishing onsite during installation

+ ACCESSORIES

+ FEATURES

- Ergonomic Recess for Improved Sightlines
- Seamless Corian® Work Surface
- Mobile or Integrated File Cabinets
- Cabinet Leveling Feet
- Vented Hinged Doors
- 3" Square Tube with Mount for Large Monitors and Sound Showers
- Adjustable Monitor Mounts
- Aurora Articulating LED Task Light
- Adapt-A-Track and Upper Cable Raceway
- Welded Tube Steel Frames
- Pull-Out Pencil Drawer
- Tapped Rack Rails with Adjustable Shelves
- Removable Base Pan with Lower Cable Raceway



CUSTOM HEIGHT-ADJUSTABLE CONSOLES

Our designers and project managers work closely with A&E firms, contractors and in-house engineers to facilitate everything from initial control center designs to final installation. From single consoles to complete command centers we have the experience and resources to build each project to your every specification.

Public Transit Control Room



Security Operations Center



Power Distribution Control Room



FORM AND FUNCTION

With every project we strive to create the perfect balance between form and function. Our ergonomic designs maximize operator comfort and productivity, while our aesthetic options such as custom woodworking achieve a truly superior upscale appearance. Contact one of our designers today and let us help you create the perfect custom solution.

Dual Height-Adjustable Console



Reception/Security Desk



Mission Control Console



NUCLEAR CONTROL ROOMS

Control rooms for nuclear plants are without a doubt some of the most complex. Safety and security is a chief concern for these power plants and a primary focus of control room design. An ergonomic approach to the design of control workstations and the layout of the control room contributes to achieving their strict safety and performance objectives.



Custom Touch Screen Turrets Available

Modular Nuclear Research Simulator - CASE STUDY: winsted.com/uv



Coal Power Control Room - CASE STUDY: winsted.com/gre



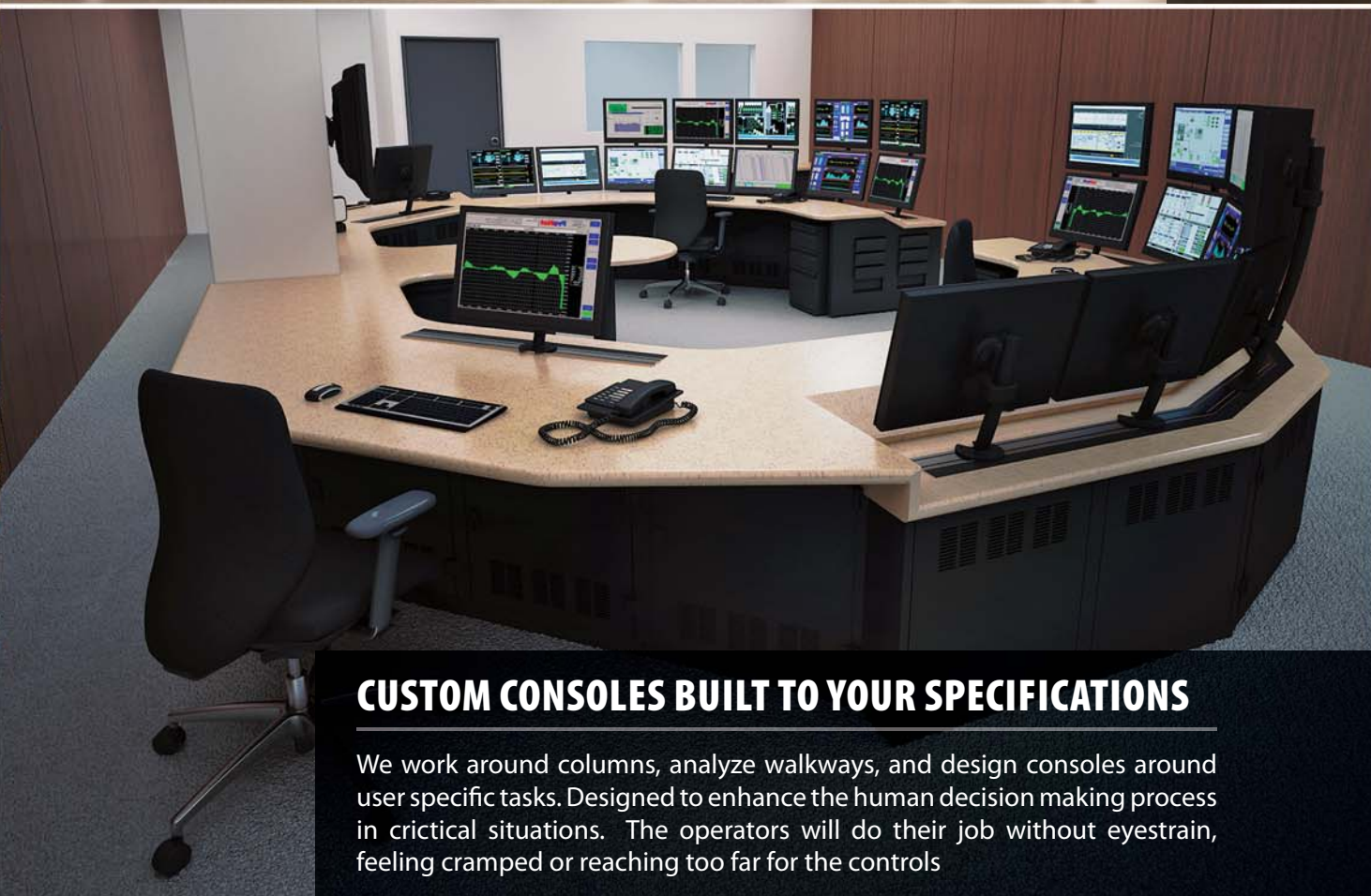
 Georgia System Operations



Transmission & Distribution - CASE STUDY: winsted.com/gsoc

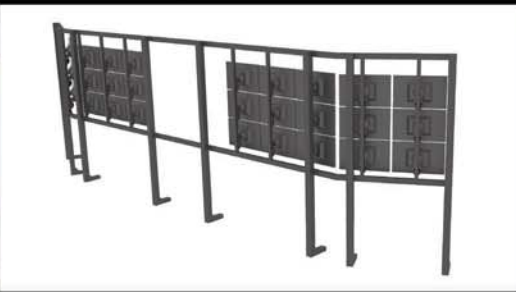
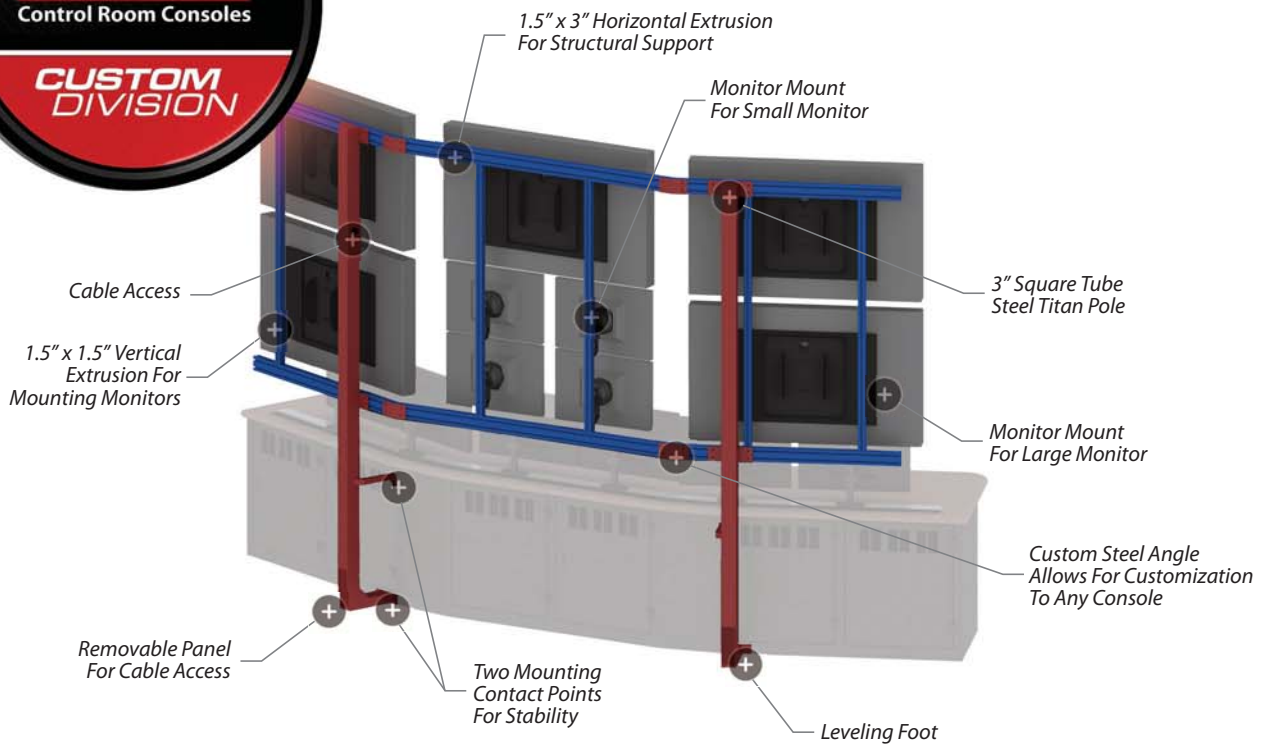


Talon 2 Console



CUSTOM CONSOLES BUILT TO YOUR SPECIFICATIONS

We work around columns, analyze walkways, and design consoles around user specific tasks. Designed to enhance the human decision making process in critical situations. The operators will do their job without eyestrain, feeling cramped or reaching too far for the controls

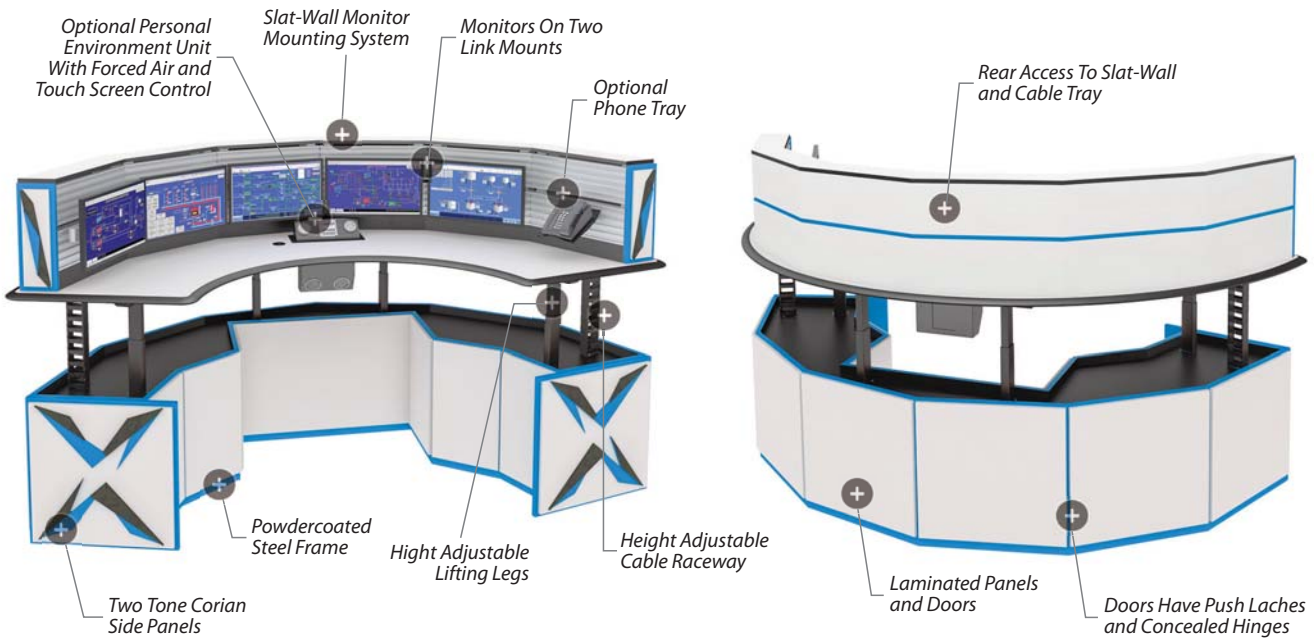


SKY TRACK™ MONITOR WALL FEATURES

- Mount multiple large monitors to the console base instead of a wall
- Update your existing console with the Sky Track System
- Provides the ability to control monitor viewing distances
- Versatile Sky Track can handle changes in monitor sizes
- Removable panel on 3" Titan pole provides access to wiring
- Leveling foot for height adjustment and stability
- Can be added to all Prestige, Custom, and existing consoles

Custom configurations available for any control room installation, large or small.

HEIGHT ADJUSTABLE SLAT-WALL CONSOLE



CUSTOM IMPULSE CONSOLES



WE HAVE RAISED THE BAR

Do you have a unique requirement for a sit/stand console? We can design a custom console to fit the exact dimensions of your space and meet the specific needs of your operators. Small or large work spaces, dual or single height-adjustable surfaces, and curved or straight configurations are just a few of the options available to create the perfect sit/stand console solution.

PLASTIC WIRE DUCT



MODEL#	SIZE	COLOR	WEIGHT
42750	4"H x 2"W x 72"L (102 x 51 x 1829mm)	Black	2 LBS.
42752	2"H x 4"W x 78"L (51 x 102 x 1981mm)	Black	3 LBS.
42755	4"H x 4"W x 72"L (102 x 102 x 1829mm)	Black	4 LBS.
42757	2"H x 2"W x 78"L (51 x 51 x 1981mm)	Black	2 LBS.

Wire ducts are slotted and come complete with cover except 42750.

42756	1-1/2"H x 1-1/2"W x 72"L (38 x 38 x 1829mm)	Black	2 LBS.
-------	---	-------	--------

42756 has solid walls and comes complete with cover.

KEYBOARD TRAYS



MODEL#	SIZE	WEIGHT
46250	22"W x 9"D (559 x 229mm) - pulls out 12" (305mm)	9 LBS.

Mounts to the underside of any flat desk top. Outside dimension measures 23-3/4"W (603mm).

47087	25"W x 10"D (635 x 254mm)	11 LBS.
-------	---------------------------	---------

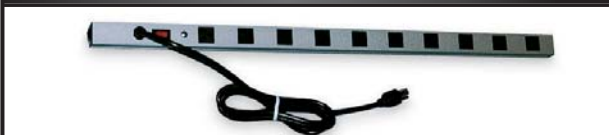
Features 20° tilt and 9" (229mm) height adjustment. Shelf swivels 180° and stores under the work surface. Mounts to the underside of any flat desk top. Padded wrist support. Black enamel finish.

MAGNETIC VENT COVER

MODEL#	TYPE	WEIGHT
10740	6" x 6" (152 x 152mm)	.5 LBS.

Magnetic panel to cover side panel or door vents. Use when positive air flow is needed from bottom to top in cabinet.

POWER SUPPLY OUTLETS



MODEL#	DESCRIPTION	AMP	CORD LENGTH	WEIGHT
10710	34" - Ten-outlet	15	72" (1829mm)	4 LBS.
10712	69" - Ten-outlet	15	72" (1829mm)	6 LBS.
10713	68" - Twenty-outlet	15	180" (4572mm)	7 LBS.
10684	70" - Eleven-outlet	20	72" (1829mm)	8 LBS.

Lighted On/Off switch. Mounts to the back of any base/slope rack combination, M-View or vertical rack. Also mounts horizontally in all consoles.

THREE DRAWER FILE CABINET - BLACK

MODEL#	DIMENSIONS	WEIGHT
10765	27"H x 15"W x 17-1/2"D (686 x 381 x 445mm)	70 LBS.
10767	27"H x 15"W x 19-3/4"D (686 x 381 x 502mm)	73 LBS.

Compact cabinet fits neatly under a work surface for storage of files in the bottom drawer. Middle drawer is perfect for items that are 4" high and top drawer works well for paper, pens and pencils. Plastic sliding pencil tray comes with cabinet. Master key - 10743

10764	12"H x 14-3/4"W x 17"D (305 x 375 x 432mm)	14 LBS.
-------	--	---------

Converts the 10767 and 10765 from a three drawer cabinet to a two drawer file cabinet. 10764 replaces the two box drawers that come standard with 10767 & 10765.

LED TASK LIGHTS

MODEL#	DIMENSIONS	WEIGHT
56679	LED light with magnetic base and 18" (457mm) flexible neck	1 LB.
10679	LED light with VESA mount and 18" (457mm) flexible neck	1 LB.

Features a 6-foot cord and allows users to switch between a white & red light.

VELCRO STRAP - BLACK

MODEL#	DESCRIPTION	WEIGHT
12765	Velcro Strap 1" x 96" long (25 x 2438mm)	.5 LBS.

Perfect for securing electronics to a shelf.

PULLOUT, SWIVEL CPU MOUNT

MODEL#	DESCRIPTION	WEIGHT
46260	Extends forward with 90° swivel	15 LBS.

Fits CPU's from 13-1/2" to 21-1/2" High (343 to 546mm) by 5-3/8" to 9-3/8" Wide (137 to 238mm). Black finish. Does not fit E-SOC.

3-1/2"H UTILITY DRAWER - BLACK



MODEL#	DIMENSIONS	WEIGHT
88323	3-3/8"H x 16"W x 18"D (86 x 406 x 457mm)	14 LBS.

Rack mountable and/or attaches to the bottom of any flat wood work shelves.

SECTIONAL WALL MOUNT CABINETS - BLACK



MODEL#	RACK HEIGHT	OVERALL DIMENSIONS	WEIGHT
97020	15-3/4"H (9U)	19"H x 21"W x 22-1/4"D (483 x 533 x 565mm)	64 LBS.
97026	28"H (16U)	31-1/4"H x 21"W x 22-1/4"D (794 x 533 x 565mm)	92 LBS.

Made from heavy-gauge steel with 10-32 tapped front rack rails, louvered sides and 270° hinges. This symmetrical cabinet hinges either left or right. Key locking front door. Cabinet section depths: 4-1/2"D (114mm) rear, 16"D (406mm) center, 1-3/4"D (44mm) front. Maximum wt. load 100 lbs.

SECURITY CABINET W/HINGED DOOR - BLACK



MODEL#	OVERALL DIMENSIONS	WEIGHT
96030	9-1/2"H x 19-1/2"W x 23"D (241 x 495 x 584mm)	28 LBS.

Heavy-duty locking cabinet for DVR/VTR and controllers, comes with rear cord access slot and vent holes for 10705 cooling fan.

WALL MOUNT MONITOR SHELVES



MODEL#	OVERALL DIMENSIONS	WEIGHT
11081	17"W x 18"D (432 x 457 mm) with 1/2"H (13mm) front retainer lip	10 LBS.

16" centers for wall mounting along with adjustable tilting tray for better viewing angle. 5/16" x 1-1/2" (8 x 38mm) long slots for 96"L (2.4m) monitor safety strap (included). Pearl Grey Finish.

MODEL#	OVERALL DIMENSIONS	WEIGHT
11093	10"H x 18"W x 17"D (254 x 457 x 432mm)	19 LBS.

Supports both electronics on one shelf. Opening size: 5-5/8"H x 17-7/8"W (143x 454mm). 16-gauge steel. Maximum weight 80 lbs. 16" Center wall mounting. Black Finish.

24-1/2" LOCKING SECURITY CABINET - BLACK



MODEL#	OVERALL DIMENSIONS	WEIGHT
G9939	Extra-Deep - 26-5/8"H x 22-5/8"W x 25-1/2"D (676 x 575 x 648mm)	87 LBS.

Cabinet sits on desk or wall mount, front door is 1-1/4" deep for electronic clearance and symmetrical for left- or right-hand mounting. 19" depth from front rack rail to inside back. NEMA electrical knockouts.

ROLL-UP RACK 19-1/4" (11U) CABINET



MODEL#	DESCRIPTION	WEIGHT
E4741	25"H x 24"W x 24"D (635 x 610 x 610mm)	64 LBS.

Includes 2" (51mm) swivel carpet casters. Black Graphite Nebula laminate top and black side panels with black welded steel frame. 19" EIA Equipment Rack.

DESKTOP POWER GROMMET



MODEL#	DESCRIPTION	WEIGHT
10660	Three Power Outlets and Two Cat 5 Connections	1 LB.
10661	Three Power Outlets and Two USB Ports	1 LB.

Easily converts any desk, table or work surface into a ready-to-access power center. Simply rotate the grommet with it's easy 180° rotation system and the grommet is ready to use. 4-3/8" outer ring requires 4.21" hole size. Eight foot power cord included.

13-3/4" W PENCIL DRAWER - BLACK



MODEL#	DIMENSIONS	WEIGHT
55233	2-3/8"H x 13-3/4"W x 18"D (60 x 349 x 457mm)	4 LBS.

Mounts to the underside of any work shelf. This drawer will fit between shelf brackets. Pulls out 12-3/4" (324mm). Black formed plastic.



Shown with optional scoop arms 11769

11760

3 Colors Available



UNIVERSAL TASK CHAIR

MODEL#	OVERALL DIMENSIONS	COLOR	WEIGHT
11760	37- 42"H x 21"W x 26"D (940 -1067 x 533 x 660mm)	BLACK	42 LBS.
11762	37- 42"H x 21"W x 26"D (940 -1067 x 533 x 660mm)	RED	42 LBS.
11766	37- 42"H x 21"W x 26"D (940 -1067 x 533 x 660mm)	BLUE	42 LBS.

Sit all day in soft comfort with independent seat tilt, front tilt and independent back tilt, which allows you to lock in a desired angle or free float. Pneumatic height adjustment and height adjustable back with knob adjustment. Two layers of 3" high density foam covered in a high quality Olefin/Polyester fabric. Seat and back meet CA 117 fire code. Optional arms available (see 11769 below).

11769	Optional Scoop Arms - Set of Two	BLACK	8 LBS.
-------	----------------------------------	-------	--------

Durable poly arm pads with push button adjustability. Task Chair only.



11745

24/7 HIGH BACK CHAIR

MODEL#	OVERALL DIMENSIONS	COLOR	WEIGHT
11745	38-3/4 - 43"H x 26-1/2"W x 25"D (984 -1092 x 673 x 635mm)	BLACK	52 LBS.

Contemporary design with superior comfort meets simplicity with high-performing functionality in this 24/7 chair designed for demanding control room operations. A suspension mesh back design regulates temperature for long-term comfort, healthy sitting and proper back support. Adjustable arms, back and seat ensure proper fit for every size. Arms come standard.



11775

24/7 ULTRA CHAIR

MODEL#	OVERALL DIMENSIONS	COLOR	WEIGHT
11775	47-3/4 - 51-3/4"H x 25-3/4"W x 24-3/4"D (1213 -1314 x 654 x 629mm)	BLACK	55 LBS.

Ultra durable and ultra comfortable! The Ultra chair is designed to perform in the most demanding control room environments. The 11775 is constructed of a sturdy steel frame, Liquicell seat technology covered in top quality black leather, gas cylinder mechanism and a five-star base with 2-1/2" castors for stability. The chair features upper and lower air lumbar adjustability, adjustable headrest, eight inch arm tilt adjustment, tilt rocker adjustment and side tension adjustment. Arms come standard. Base circumference is 30-1/2".

WINSTED WARRANTY

- A **LIFETIME WARRANTY** on all fixed steel structure frame components.
- A 10 year warranty on adjustable, sliding or hinged components and laminated surfaces.
- A 5 year warranty on Endurance Plus and TruForm surfaces.
- A 2 year warranty on all electrical components and chairs.

All warranties are effective from date of shipment. All products shall be free from defects in material and workmanship under normal usage and conditions for which the products were designed.

Winsted's obligation under this warranty shall be limited to the exchange of the product or parts that proved to be defective or unsatisfactory. Winsted reserves the right to have the product inspected at the buyer's location or have the product returned to the factory for inspection. The above warranty does not extend to consumable products, goods damaged or subjected to accident, abuse or misuse after shipment from Winsted's factory or to goods that are altered or modified.



VALUE

Winsted provides support second to none in the industry. Trained representatives gather project information, give design support to help lay out the project and even provide infield support.

PRODUCT DEVELOPMENT

This process never stops. Winsted is known as the industry leader. We provide new solutions daily as technology continues to change.

AVAILABILITY

Winsted supplies metal consoles and racks from stock and custom wood within 4 weeks. Call for Corian delivery times.

FREIGHT

Call Winsted for your free freight quotation, this takes the guesswork out of the quotation. We can provide CIF quotations for all orders, which helps the customer understand the true cost of the product.

FLAT-PACKED, PRE-ASSEMBLED, INSTALLED

Winsted will drop-ship orders directly. Every order has three options for shipment:

1. **Flat-packed** - Reduces shipping costs and provides the fastest delivery.
2. **Pre-assembled prior to shipping** - Reduces customer set-up time.
3. **Installed** - Product installed by trained Winsted technicians. Call for on-site installation cost.

CUSTOMER SERVICE

Specialists are individually empowered to handle issues and resolve situations efficiently and fairly.

PRODUCT OFFERING

Winsted offers the most complete line of products in the industry, designed to fit a variety of needs within almost any organization. From control room consoles and military command centers, to network operation centers and process control applications. Winsted pledges to provide products that meet today's needs, as well as anticipating future technology requirements.

SATISFACTION GUARANTEED

Winsted Products are guaranteed to be free of manufacturing defects. If any product is determined to be unsatisfactory, call our Customer Service Department Toll-Free 800.447.2257. Our policy is that you must be completely satisfied with our products. For fast service or for additional product information call Toll-Free 800.447.2257.

SHIPPING

All shipments are F.O.B. shipping point. Every attempt will be made to ship your order as soon as possible via the most direct and economical way. If a specific carrier is preferred, the purchase order must be clearly marked.

LIABILITY

No liability is assumed by our company for damage and/or injury resulting from use of the specified carrier.

CREDIT

For new accounts that have not established credit with Winsted, a sufficient amount of time should be allowed to obtain proper credit information. Please be sure to provide your bank information and two trade references with initial order. If immediate shipment of order is desired, Winsted does accept credit cards, ACH payments or send check for full amount. Special order merchandise and large orders may require 50% cash in advance before shipping.

DROP SHIPMENTS

Winsted will ship orders directly to any authorized dealer's customer. Drop shipments are sent pre-paid with freight charges, plus a small handling charge added to the dealers invoice.

FREIGHT SHORTAGES OR DAMAGES

All shipments should be inspected carefully upon receipt. Before signing the freight bill have the delivering carrier note any damage, shortage or loss in writing on the freight bill. Concealed damage must be reported to Winsted within 15 days. Failure to do so places responsibility for loss with the consignee.

RETURNED GOODS

No merchandise may be returned without prior authorization. Custom items will not be accepted on a return. Call Toll-Free 800.447.2257 to our Customer Service Department and obtain a "Return Authorization Number." All returns are to be prepaid. All return merchandise is subject to a 15% restocking and handling charge. Credit will be issued provided products are returned in undamaged condition, and in their original packaging.

TERMS OF SALE

Terms are Net 30 days after credit has been established. Outstanding past due balances are subject to a finance charge of 1-1/2% per month. All terms, conditions, specifications and prices are subject to change without notice.



INNOVATIVE CONTROL ENVIRONMENTS

Project procurement and implementation strategies have been developed to aid in the delivery of building facilities. At Winsted, we assist with identifying the best strategy to construct facilities based on project needs and goals. Winsted will assess the client's requirements, project scope, time frames, best practices and budget to meet those needs. Whether considering traditional, design/build or an integrated approach, Winsted can help choose which strategy best suits a project for success.

WINSTED CAN PARTNER WITH YOU TO CREATE AN INNOVATIVE CONTROL ROOM TO IMPROVE OPERATIONAL CONDITIONS BY OPTIMIZING THE ENVIRONMENT



DESIGN

DESIGN

Today's evolving world creates the need to evaluate 24/7/365 environment working conditions. It is often necessary to modernize control rooms through renovation and by consolidating quantity of systems and elements. The goal is to promote effective human interaction within the physical control room surroundings. Therefore, early design and planning should be considered to improve situational awareness, vigilance and overall sense of ownership for its users.



MANAGE

MANAGE

Proper management requires a motivated team or individual dedicated to developing scope, capturing, transforming and communicating critical information. Project management exists within each phase of every project delivery method. Often times, control rooms are deliberately scheduled to be renovated, decommissioned and commissioned over a very short period of time, or while maintaining 100% critical capacity. Overall planning, coordination and decision making specific to successful control room projects is essential from beginning to end to produce a functional, efficient and viable project.



BUILD

BUILD

At Winsted, modern control room construction exhibits configurable and adaptive reuse concepts. There are various methods to achieve flexibility, but it is important to build and install durable and longer lasting modular components. Winsted's team of proficient tradesmen, designers, project managers and site supervisors work together to deliver a premium product. Whether the desire is purely functional or aesthetically pleasing, Winsted has the expertise to successfully manage and complete your project on time and within budget.

INDEX: (MODEL NUMBER - PAGE NUMBER)

10220	66	46250	92	85141	68	90076	65	99152	68	G8060	66	M4564	78
10660	93	46260	92	85142	68	90078	65	99484	69	G8101	68	M4567	78
10661	93	47087	92	85143	68	90112	64	99488	69	G8104	68	M4572	78
10670	67	51237	61	85144	68	90116	64	B3013	42	G8584	67	V4211	69
10679	16	51239	61	85145	68	90118	64	B3015	42	G8585	67	V4221	69
10684	92	51710	17	85146	68	90122	64	B3017	42	G8586	67	V9019	64
10705	67	55233	93	85147	68	90126	64	B3023	42	G8591	67	V9021	64
10710	92	56029	18	85148	68	90129	64	B3025	42	G8592	67	W5630	16
10712	92	56030	16	85149	68	90132	64	B3027	42	G8593	67	W5631	16
10713	92	56032	16	85152	68	90136	64	B3033	42	G8597	67	W5642	16
10716	67	56036	16	85276	66	90138	64	B3035	42	G8598	67	W5650	17
10720	67	56087	16	85744	68	90262	65	B3037	42	G8599	67	W5660	16
10724	67	56088	16	85782	65	90266	65	B3043	42	G9085	65	W5661	16
10725	67	56115	20	86140	68	90267	66	B3045	42	G9101	68	W5664	16
10740	92	56165	16	86141	68	90269	65	B3047	42	G9102	68	W5665	16
10764	92	56220	17	86142	68	90270	65	B3053	44	G9103	68	W5690	14
10765	92	56250	17	86143	68	90271	66	B3055	44	G9939	93	W5698	14
10767	92	56264	17	86144	68	90312	65	B3056	45	M1020	61	W5723	12
10800	65	56265	17	86149	68	90316	65	B3065	43	M1021	61	W5724	12
10814	65	56565	17	86151	68	90318	65	B3066	43	M1022	61	W5729	13
11081	93	56567	17	86227	69	90322	65	B3067	43	M1023	61	W5739	13
11093	93	56569	17	88090	69	90326	65	B3068	43	M1030	61	W5749	18
11104	61	56570	17	88091	66	90328	65	B3090	44	M1032	61	W5772	14
11745	94	56679	16	88093	66	90332	65	B3091	44	M1034	61	W5773	14
11760	94	56720	20	88094	66	90336	65	B3098	45	M1082	36	W5774	14
11762	94	56721	20	88095	66	90338	65	B3099	45	M1088	36	W5775	14
11766	94	56726	20	88096	66	90661	66	B3211	32	M1100	60	W5776	14
11769	94	56728	20	88217	66	90662	66	B3231	33	M1102	60	W5777	14
11775	94	56730	20	88218	66	90663	66	B3249	37	M1104	60	W5778	14
12765	92	56751	21	88220	66	90664	66	B3251	34	M1106	60	W5780	18
15500	79	56752	21	88226	66	92186	68	B3261	35	M1108	60	W5781	18
15580	79	56754	21	88321	66	96030	93	B3271	35	M1121	60	W5832	12
30031	44	56755	21	88323	92	97020	93	B4302	50	M1123	60	W5833	12
30080	45	56981	16	88324	66	97026	93	B4304	50	M1125	60	W5900	17
30172	44	57730	18	88397	69	97091	66	B4306	50	M1127	60	W6430	16
30175	44	58160	15	88398	69	98703	67	B4312	50	M1129	60	W6431	16
30178	44	58161	15	90012	64	98708	67	B4314	50	M1156	78	W6432	13
30701	45	58162	15	90016	64	98709	67	B4316	50	M1502	79	W6443	13
32087	37	58171	15	90018	64	98714	67	B4324	50	M1503	79	W6469	17
42750	92	58174	15	90022	64	99140	68	B4360	51	M1504	79	W6471	14
42752	92	58178	15	90026	64	99141	68	B4361	51	M1505	79	W6472	14
42755	92	60082	61	90028	64	99142	68	B4362	51	M1512	79	W6473	14
42756	92	64032	16	90032	64	99143	68	B4363	51	M1513	79	W6491	14
42757	92	64072	18	90036	64	99144	68	E4741	93	M1514	79	W6492	14
43009	52	64074	18	90038	64	99145	68	E5081	14	M1515	79	W6493	14
43032	52	64076	18	90051	65	99146	68	F8153	68	M1522	79	W6500	17
43260	52	64100	18	90053	65	99147	68	G8051	68	M1523	79		
43261	52	64264	17	90055	65	99148	68	G8054	68	M1524	79		
43264	52	85140	68	90072	65	99149	68	G8056	68	M1525	79		

AT YOUR SERVICE - FROM CONCEPT TO ON SITE ASSEMBLY



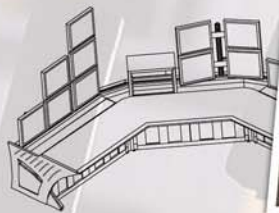
FREE ON-SITE CONSULTATION

We understand that every installation is unique and we can gather valuable information by visiting the actual site. We are committed to getting it right the first time and, at no charge, we will travel to your location to take measurements, do a site survey and consult with the appropriate parties.

FREE DESIGN SERVICE

FREE DESIGN SERVICE

We go to great lengths to understand your needs and the objectives of the project. Our experienced design department will design your console to be ergonomically correct and to support the associated electronics and equipment. Once the design is final we will provide you with a complete design and specification package ready for presentation.



FREE PROJECT SUPPORT

Winsted is a true project partner and we pride ourselves on going above and beyond. What can we do to help you win the job? We can provide Building Information Modeling (BIM) files for Revit®, full CAD drawings in multiple views, photo-quality color renderings of the console design and even animated “walk-through” videos of the proposed installation.



WORLD CLASS CUSTOMER SERVICE

Our goal is to provide the best customer service in the industry; it is what our success is built on. Your satisfaction is guaranteed. Our experienced and knowledgeable customer service staff is ready to respond before, during and after the sale. We also stand by our products, which is why most of them carry a lifetime warranty. See **page 95** for Winsted's Warranty.

LET WINSTED DESIGN A CONSOLE FOR YOU: winsted.com/designservice

WELS™ 4

WINSTED EQUIPMENT LAYOUT SOFTWARE



THE MOST ADVANCED CONSOLE DESIGN SOFTWARE IS HERE!

WELS™ IS A WINSTED-EXCLUSIVE CONSOLE DESIGN SOFTWARE TOOL THAT MAKES CONTROL ROOM DESIGN AND LAYOUT FAST, EASY, ACCURATE AND FUN!

This interactive, user-friendly, 3D console design software program lets you use Winsted consoles and furniture to quickly design control room solutions that meet your needs. WELS is easy to use - and requires no additional design/ CAD software to operate.

WELS4 FEATURES

- WELS 4 is a FREE Winsted-exclusive tool. With it you can design your control room with any of our Consoles and Desks, Vertical Racks, M-View Monitor Walls and Conference Room Tables.
- On-screen toolbars and windows allow quick selection of products and accessories.
- Built-in control room designer lets you create a room to match your exact floor plan.
- Generate part lists and design specification sheets.
- Place multiple consoles and command centers anywhere in the room.
- Change the color of the work surface and side panels to show how the console will look in your room.
- Smart design programming helps you place parts where they belong.
- Accessorize designs with monitors, LCDs, DVD players, keyboards, blank panels, doors and more.
- WELS 4 is a true 3D design program. You can view your designs from any vertical or horizontal angle.
- WELS 4 is a stand-alone program requiring no additional software.
- Export your design to DWG or DXF to import into your CAD program or export to JPEG format to use in presentations and design discussions.

WELS4 SYSTEM REQUIREMENTS:

Operating System: Microsoft Windows - Windows XP - or newer



DOWNLOAD WINSTED'S EQUIPMENT LAYOUT SOFTWARE AT: winsted.com/WELS



WINSTED HEADQUARTERS
 10901 HAMPSHIRE AVE. S.
 MINNEAPOLIS, MN 55438-2385 USA

CUSTOMER#

DEPT. CODE

HELP STOP WASTEFUL DUPLICATE MAILINGS

If you receive duplicates of the same brochure with different customer numbers, please send us the labels. Indicate the correct label and we will update our records. Thanks for your help.

FOR THE WINSTED DEALER NEAREST YOU
 Call **1.800.447.2257** Or Fax **1.800.421.3839**



winsted.com | info@winsted.com



FREE DESIGN SERVICE



STOCK • CUSTOMIZED • CUSTOM

WINSTED WORLD HEADQUARTERS
 10901 Hampshire Avenue South
 Minneapolis, MN 55438-2385 USA

TEL: 800.447.2257 • 952.944.9050
FAX: 800.421.3839 • 952.944.1546
EMAIL: info@winsted.com
WEB: winsted.com

WINSTED CUSTOM DIVISION
 1750 Breckinridge Pkwy, Suite 100
 Duluth, GA 30096-7576 USA

TEL: 800.237.5606 • 770.840.0880
FAX: 770.840.9685
EMAIL: custom@winsted.com
WEB: winstedcustom.com

WINSTED EUROPE • MIDDLE EAST
 Unit D1 Sapphire Court
 Isidore Rd, Bromsgrove Enterprise Park
 Bromsgrove B60 3FL - UK

TEL: 44 (0) 1527 833714
EMAIL: info@winsted.co.uk
WEB: winsted.com